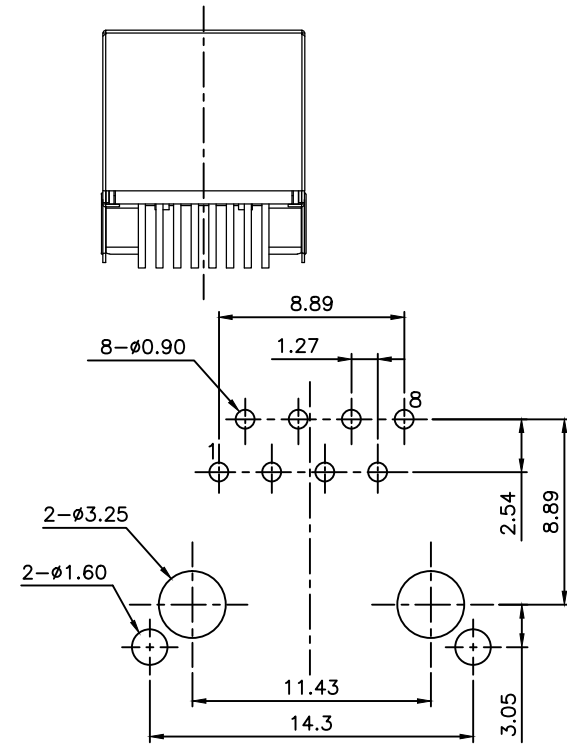
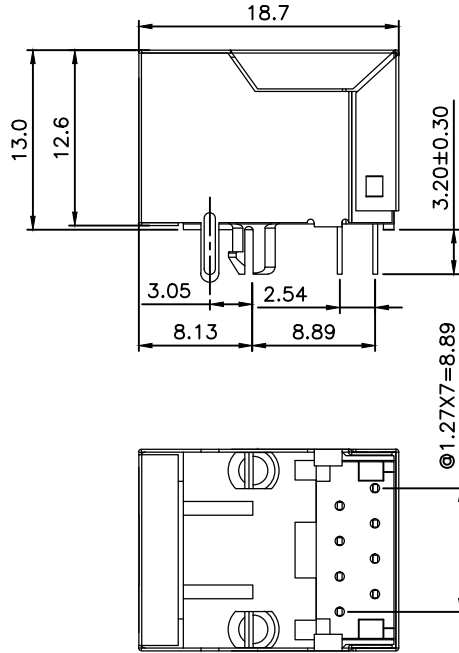
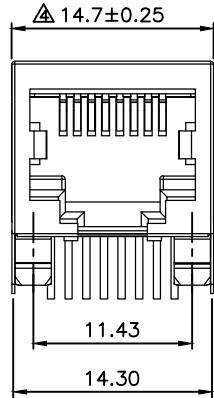


RoHS

THIS IS A RoHS COMPLIANT COMPONENT/PRODUCT.



PC Board Layout Component Side Shown

NOTES:

ELECTRICAL:

- 1. VOLTAGE RATING : 125 VAC MIN.
- 2. CURRENT RATING : 1.5 AMP MIN.
- △ 3. CONTACT RESISTANCE : 50 MILLIOHMS MAX.
- 4. INSULATION RESISTANCE : 1000 MEGOHMS MIN. @ 500 VDC.
- 5. DIELECTRIC STRENGTH : 1000 VAC 60Hz, 1MIN.

MECHANICAL:

- 1. HOUSING MATERIAL : GLASS FILLED POLYESTER OR HIGH TEMP. UL94V-0.
- 2. CONTACT MATERIAL : PHOSPHOR BRONZE t=0.35mm.
- 3. PLATING : GOLD PLATING OVER NICKEL.
- 4. OPERATING LIFE : 750 CYCLES MIN.
- 5. PCB RETENTION PRE-SOLDER : 1 LB MIN.
- 6. PCB RETENTION POST-SOLDER : 10 LBS MIN.

ENVIRONMENTAL:

- 1. STORAGE : -40°C TO +85°C.
- 2. OPERATION : -40°C TO +85°C.

MATES WITH MODULAR PLUG CONFORMING TO TIA-1096-A.

PART NUMBER : N371X-018-XX

- 1- 3u" 2- 6u"
- 3- 15u" 4- 30u"
- 5- 50u"

- 01-FRONT PEG 3.05 POLYESTER W/O LOGO PRINTING△
- △02-FRONT PEG 3.05 HIGH TEMP. W/O LOGO PRINTING

| | | | | |
|------|---------|-----------------|-------|---------|
| △X1 | | CANCEL LOGO | Joy | 052221' |
| △X2 | | ADD NEW P/N. | DORIS | 041317' |
| △X3 | | ADD THREE DIM. | ROCK | 083112' |
| △X1 | | DRAWING MODIFY | ROCK | 082812' |
| △X1 | | DRAWING MODIFY | ROCK | 081312' |
| △X1 | | DRAWING MODIFY | ARES | 110110 |
| △X1 | | DRAWING MODIFY | YANG | 010709 |
| △X0 | 0069000 | NEW DESIGN | YANG | 102908 |
| MARK | ECN-NO. | REVISION RECORD | DRAWN | DATE |

| | | | | |
|---|--------------------------------------|-----------------------------------|-----------|-----------|
| CTK Contact Technology Co., Ltd. Material/Plated/Notes | UNLESS OTHERWISE SPECIFIED TOLERANCE | | SCALE | CHECKED |
| | Dimension Range | Tolerance | 2/1 | APPROVED |
| | X.X | ±0.20 | UNIT | |
| | X.XX | ±0.15 | mm | |
| X.XXX | ±0.10 | SIZE | A3 | SHEET 1/1 |
| ANGLE | ±5° | | | |
| SEE NOTE | | SIDE ENTRY 10P STP 17.6 w/Ferrite | | |
| Tooling No. | | PART NO. | SEE NOTE | REV. 7 |
| | | DOC. NO. | NN370A018 | |