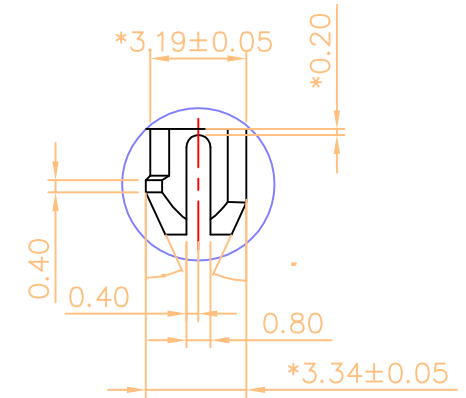
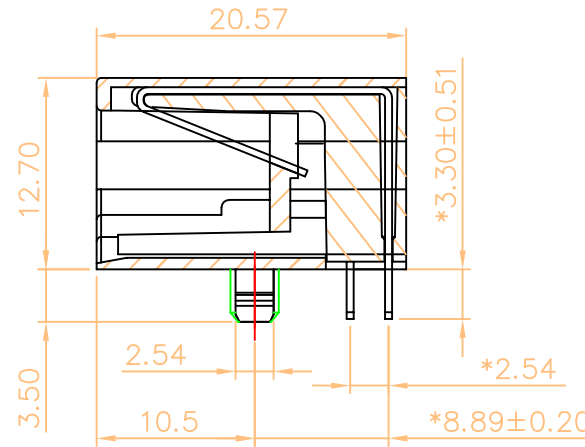
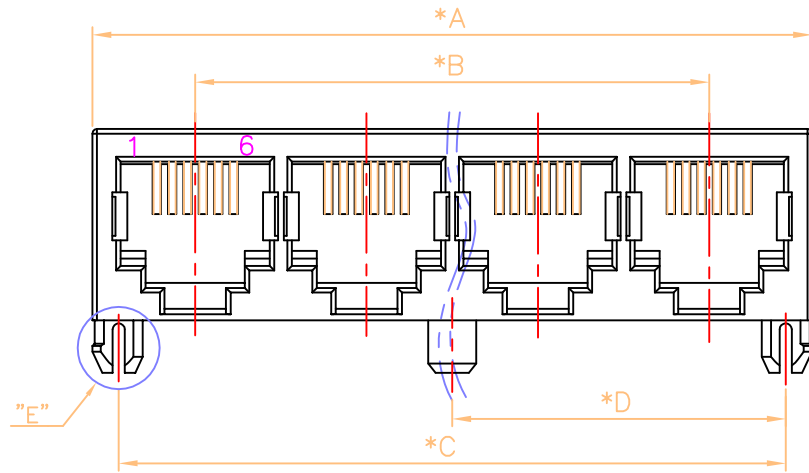


RoHS

THIS IS A RoHS COMPLIANT COMPONENT/PRODUCT.



DETAIL "E"
SCALE 2:1

NOTES:

ELECTRICAL:

- VOLTAGE RATING: 125 VAC RMS.
- CURRENT RATING: 1.5 AMP.
- CONTACT RESISTANCE: 45 MILLIOHMS MAX.
- INSULATION RESISTANCE: 1000 MEGOHMS MIN. @ 500 VDC.
- DIELECTRIC STRENGTH: 1000 VAC RMS 60Hz, 1MIN.

MECHANICAL:

- HOUSING MATERIAL: PBT 30% OR FR52 UL94V-0 BK.
- CONTACT MATERIAL: PHOSPHOR BRONZE t=0.35mm
- PLATING: GOLD PLATING OVER NICKEL.
- OPERATING LIFE: 750 CYCLES MIN.
- PCB RETENTION PRE-SOLDER: 1 LB MIN.
- PCB RETENTION POST-SOLDER: 10 LBS MIN.

ENVIRONMENTAL:

- STORAGE: -40°C TO +85°C.
- OPERATION: -40°C TO +85°C.

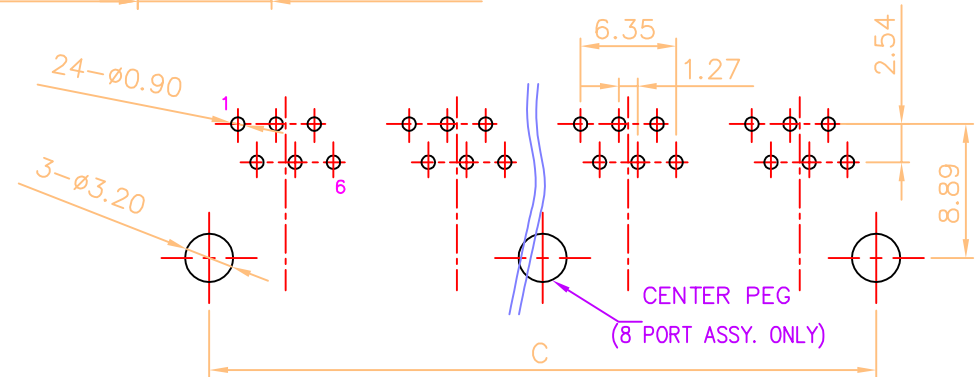
MATES WITH MODULAR PLUG CONFORMING TO TIA-1096-A
PART NUMBER: N39XX-092-XX

△ 2-1X2
4-1X4
8-1X8

01-6P6C PBT W/O PANEL STOP
△ 02-6P4C PBT W/O PANEL STOP

1-3u" 2-6u"
3-15u" 4-30u"
5-50u" 7-1u"

PORTS	DIM "A" ±0.15	DIM "B" ±0.10	DIM "C" ±0.15	DIM "D" ±0.15
△ 1X2	25.02	11.38	21.55	
1X4	47.78	34.14	44.31	
1X8	93.29	79.66	89.82	44.91



PC Board Layout
Component Side Shown

△ X2		ADD NEW P/N.	DORIS	122616'
△ X2	N1601001	ADD 1X2 TYPE	DORIS	012116'
△ X0	0000000	NEW DESIGN	DORIS	050311'
MARK	ECN-NO.	REVISION RECORD	DRAWN	DATE

	UNLESS OTHERWISE SPECIFIED TOLERANCE	SCALE 1/1	CHECKED	
	Dimension Range Tolerance	UNIT	APPROVED	
	X.X ±0.20	mm		
	X.XX ±0.15	SIZE	A3	SHEET 1/1
X.XXX ±0.10	ANGLE	±5°		
Contact Technology Co., Ltd.		NAME		
SEE NOTE		RJ12 SIDE ENTRY 6P UTP JACK		
PART NO.		SEE NOTE		REV. 2
DOC. NO.		NN390A092		