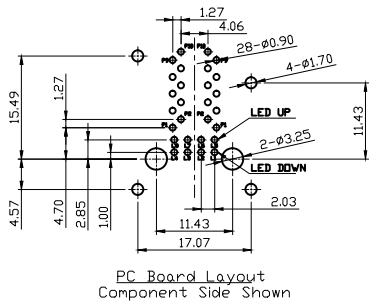
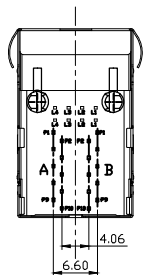
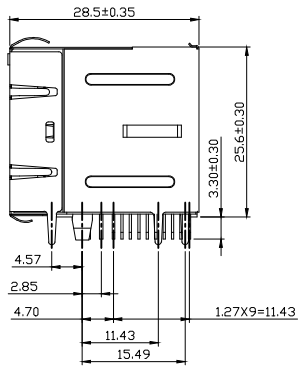
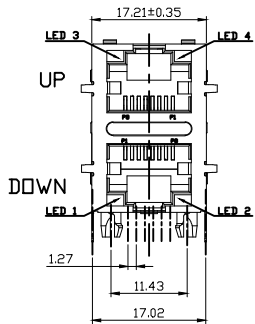


RoHS
THIS IS A RoHS
COMPLIANT
COMPONENT/
PRODUCT.



Notes:

1. RJ45 1000 Base-Tx Transformer Jack With Transformer Impedance Resistor/High Voltage Capacitor.
2. Size Same As RJ-45 Modular Jack To Save PCB Space.
3. Reduce EMI Radiation, Improve EMI Performance.
4. Designed For Network Interface Card Application.
5. Designed To Meet IEEE 802.3u Requirement.
6. Designed For 1000 Base Transmission over UTP-5 Cable.

Electrical Specifications:

1. Inductance At 100 KHz, 100 mV 8mADC Bias: 350 uH Min.
2. Leakage Inductance 0.3 uH Max. @100KHz 100mV
3. Insertion Loss: 1.1 dB Max. @ 1-100 MHz
4. Return Loss: 18dB Min. @ 1-30 MHz
16dB Min. @ 30-60 MHz
12dB Min. @ 60-80 MHz
10dB Min. @ 80-100 MHz
5. Cross Talk: 1-100MHz 30dB Min.
6. Common Mode Rejection: 30dB Min. @1-100MHz

Mechanical:

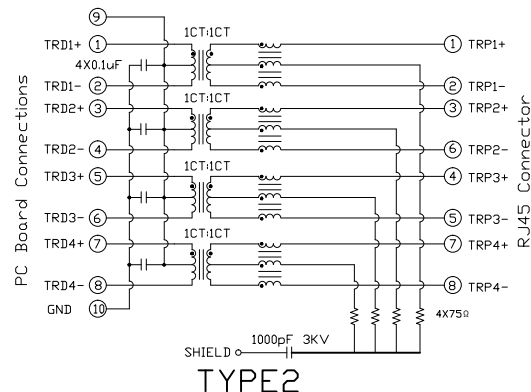
1. Housing Material : HIGH Temp UL94V-0
2. Contact Material : Phosphor Bronze T=0.30mm
3. Plating : Gold Plating Over Nickel.
4. Operating Life : 750 Cycles Min.
5. Shield Material : 0.20mm THICKNESS BRASS Plating Nickel.

Environmental:

1. Storage: -40°C TO +85°C.
 2. Operation: -40°C TO +85°C.
 3. Wave Soldering Temperature: 255~265°C (5~10 Seconds) HIGH TEMP.
- Mates With Modular Plug Conforming To TIA-1096-A
Part Number: K3TAX-114-0X

1-3u" 2-6u" 3-15u" XX:HIGH TEMP.BK. TYPE2
4-30u" 5-50u" 7-GOLD FLASH

Schematic:GIGA



序号	LED 1	LED 2
DOWN	GREEN L3 → K → L4	YELLOW L1 → K → L2
UP	GREEN L3 → K → L4	YELLOW L1 → K → L2

MARK	000000	NEW DESIGN	Andy	041923	
MARK	ECN-NO.	REVISION RECORD	DRAWN	DATE	
 Contact Technology Co., Ltd. Material/Plated/Notes SEE NOTE		UNLESS OTHERWISE SPECIFIED TOLERANCE	SCALE	CHECKED	
		Dimension Range	Tolerance	APPROVED	
		X.X	±0.20	UNIT	mm
		X.XX	±0.15	SIZE	A3
NAME		2*1 TR'S PCB JACK			
Tooling No.	PART NO.	K3TAX-114-0X		REV.	
	DOC. NO.	KK3T0A114		0	