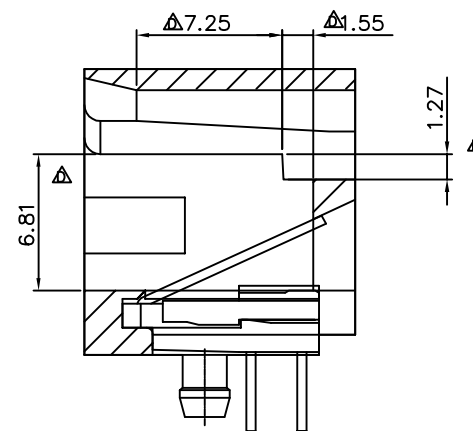
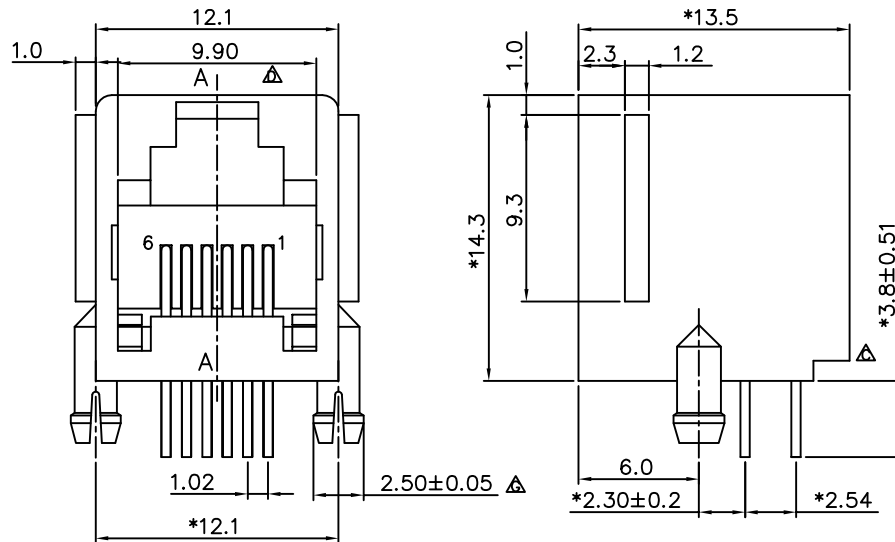
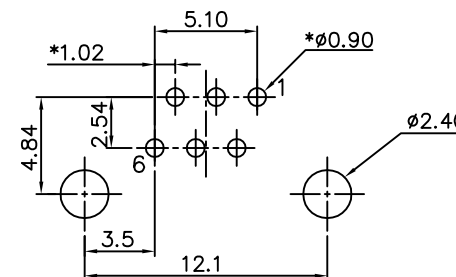


RoHS

THIS IS A RoHS COMPLIANT COMPONENT/PRODUCT.



SECTION A-A



PC Board Layout Component Side Shown

**NOTES:**

**ELECTRICAL:**

- 1. VOLTAGE RATING : 125 VAC RMS.
- 2. CURRENT RATING : 1.5 AMP.
- 3. CONTACT RESISTANCE : 30 MILLIOHMS MAX.
- 4. INSULATION RESISTANCE: 1000 MEGOHMS MIN. @ 500 VDC.
- 5. DIELECTRIC STRENGTH : 1000 VAC RMS 60Hz, 1MIN.

**MECHANICAL:**

- 1. HOUSING MATERIAL : GLASS FILLED POLYESTER OR HIGH TEMP. UL94V-0.
- 2. CONTACT MATERIAL : COLOR STANDERD BK. OR GY.
- 3. PLATING : PHOSPHOR BRONZE φ0.46mm.
- 4. PLATING : GOLD PLATING OVER NICKEL.
- 4. OPERATING LIFE : 750 CYCLES MIN.
- 5. PCB RETENTION PRE-SOLDER : 1 LB MIN.
- 6. PCB RETENTION POST-SOLDER: 10 LBS MIN.

**ENVIRONMENTAL:**

- 1. STORAGE : -40°C TO +85°C.
- 2. OPERATION: -40°C TO +85°C.

AMATES WITH MODULAR PLUG CONFORMING TO TIA-1096-A.

PART NUMBER: N351X-004-XX

- 1-3u" 2-6u"
- 3-15u" 4-30u"
- 5-50u" 7-GOLD FLASH

- 01-POLYESTER 6P6C BK.
- 02-HIGH TEMP. 6P6C BK.
- 03-POLYESTER 6P6C GY.
- 04-HIGH TEMP. 6P6C GY.
- 05-HIGH TEMP. 6P2C BK.
- 06-HIGH TEMP. 6P2C GY.
- 07-POLYESTER 6P4C BK.
- 08-POLYESTER. 6P2C BLUE.
- 09-HIGH TEMP. 6P2C BLUE.
- 10-POLYESTER 6P2C GY.
- 11-HIGH TEMP. 6P4C BK.
- 12-POLYESTER. 6P2C BK.
- 13-HIGH TEMP. 6P4C GY.
- 14-W/O PANEL STOP.PBT GY 6P4C

Δ X1		ADD NEW P/N.	Joy	091420'
Δ X1		UPDATE DRAWING	DORIS	071714'
Δ X2		ADD NEW P/N.	DORIS	032614'
Δ X1		ADD NEW P/N.	DORIS	080411'
Δ X5		ADD NEW P/N.	BOB	122408
Δ X1		ADD NEW P/N.	BOB	112108
Δ X1		ADD NEW P/N.	LINGER	070307
Δ X0	0000000	NEW DESIGN	LINGER	061206
MARK	ECN-NO.	REVISION RECORD	DRAWN	DATE

<b>CTK</b>	UNLESS OTHERWISE SPECIFIED TOLERANCE		SCALE	CHECKED
	Dimension Range	Tolerance	2/1	
	X.X	±0.20	UNIT	APPROVED
	X.XX	±0.15	mm	
X.XXX	±0.10	SIZE	A3	SHEET 1/1
ANGLE	±5°			
Material/Plated/Notes		NAME		
SEE NOTE		MINI L/P SIDE ENTRY 6P ROUND PIN		
Tooling No.	PART NO.	SEE NOTE	REV.	H
	DOC. NO.	NN350A004		