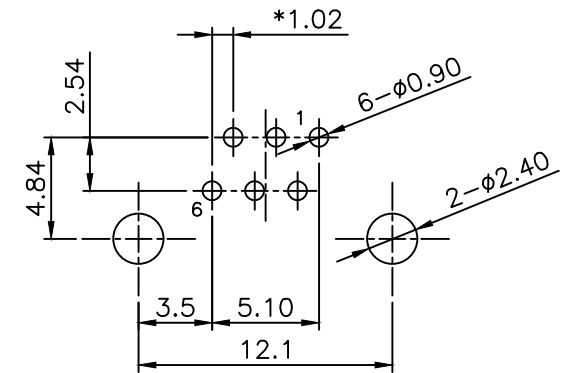
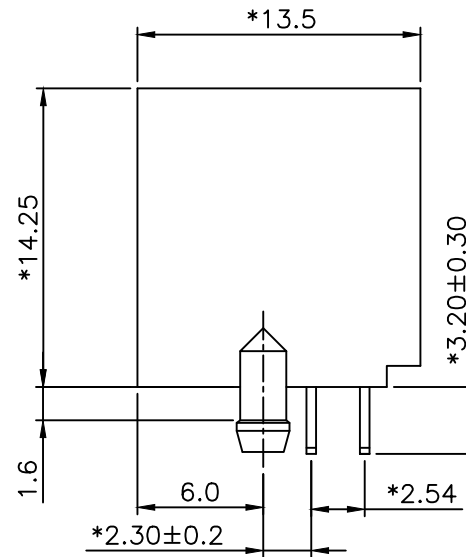
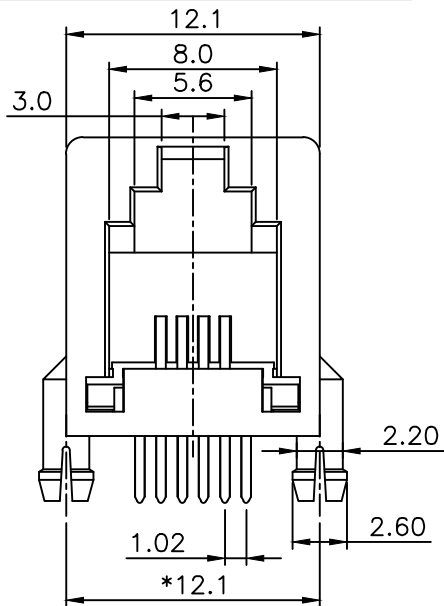


RoHS

THIS IS A RoHS COMPLIANT COMPONENT/PRODUCT.

Reference Drawing



PC Board Layout Component Side Shown

NOTES:

ELECTRICAL:

- 1. VOLTAGE RATING : 125 VAC.
- 2. CURRENT RATING : 1.5 AMP.
- 3. CONTACT RESISTANCE : 30 MILLIOHMS MAX.
- 4. INSULATION RESISTANCE: 1000 MEGOHMS MIN. @ 500 VDC.
- 5. DIELECTRIC STRENGTH : 1000 VAC 60Hz, 1MIN.

MECHANICAL:

- 1. HOUSING MATERIAL : GLASS FILLED POLYESTER OR HIGH TEMP. UL94V-0.
- 2. INSERT MATERIAL : GLASS FILLED POLYESTER UL94V-0 COLOR BK.
- 3. CONTACT MATERIAL : PHOSPHOR BRONZE t=0.35 mm.
- 4. PLATING : GOLD PLATING OVER NICKEL.
- 5. OPERATING LIFE : 750 CYCLES MIN.
- 6. PCB RETENTION PRE-SOLDER : 1 LB MIN.
- 7. PCB RETENTION POST-SOLDER: 10 LBS MIN.

ENVIRONMENTAL:

- 1. STORAGE : -40°C TO +85°C.
- 2. OPERATION: -40°C TO +85°C.

MATES WITH MODULAR PLUG CONFORMING TO TIA-1096-A.

PART NUMBER: K351X-106-XX

- 1-3u" 2-6u" 01-POLYESTER GY. 4P4C W/O PANEL STOP
- 3-15u" 4-30u"
- 5-50u" 7-GOLD FLASH

△XO	000000	NEW DESIGN	Andy	111821
MARK	ECN-NO.	REVISION RECORD	DRAWN	DATE
		UNLESS OTHERWISE SPECIFIED TOLERANCE	SCALE	CHECKED
		Dimension Range Tolerance	2.5/1	APPROVED
		X.X ±0.20 UNIT	mm	
		X.XX ±0.15		
Contact Technology Co., Ltd.		ANGLE ±5°	SIZE A3	SHEET 1/1
Material/Plated/Notes		NAME		
SEE NOTE		MINI L/P STAMP PIN 4P		
Tooling No.		PART NO. SEE NOTE	REV. 0	
		DOC. NO. KK350A106		