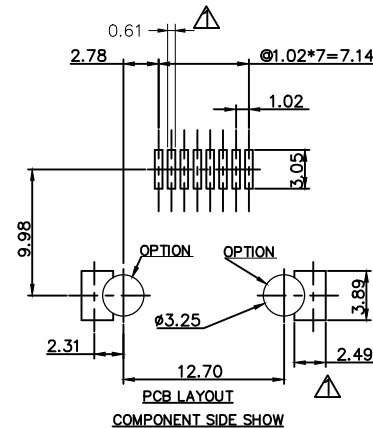
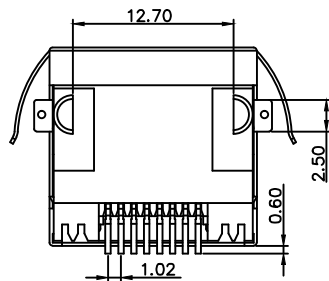
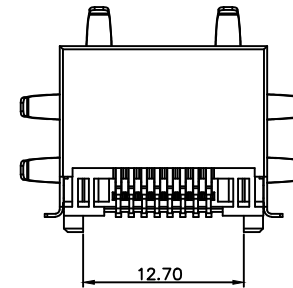
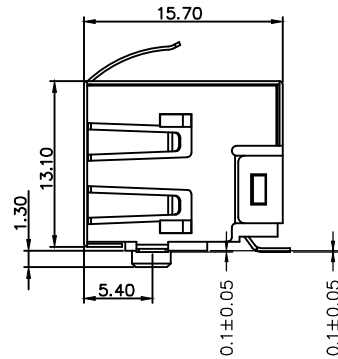
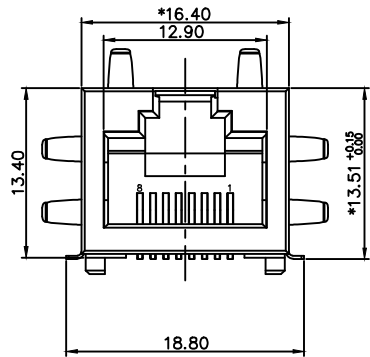


ROHS

THIS IS A RoHS COMPLIANT COMPONENT/PRODUCT.



NOTES:

ELECTRICAL:

1. VOLTAGE RATING : 125 VAC.
2. CURRENT RATING : 1.5 AMP.
3. CONTACT RESISTANCE : 30 MILLIOHMS MAX.
4. INSULATION RESISTANCE : 1000 MEGOHMS MIN. @ 500 VDC.
5. DIELECTRIC STRENGTH : 750 VAC 60Hz, 1MIN.
6. DIELECTRIC STRENGTH SHIELD TO LED : 1500 VAC 60Hz, 1MIN.
7. LED RATINGS: FORWARD VOLTAGE : 2.2 VOLTS TYPICAL.
REVERSE VOLTAGE : 5 VOLTS MAXIMUM.

MECHANICAL:

1. HOUSING MATERIAL : GLASS FILLED HIGH TEMP. UL94V-0.
2. SHIELD MATERIAL : C2680H PLATING NICKEL 30~80. FOR ALL.
3. CONTACT MATERIAL : PHOSPHOR BRONZE t=0.30 mm.
UNDER PLATING: NICKEL PLATING 30~80u" OVER ALL.
4. PLATING : GOLD PLATING OVER NICKEL.
5. PCB RETENTION PRE-SOLDER : 1 LB MIN.
6. PCB RETENTION POST-SOLDER: 10 LBS MIN.

ENVIRONMENTAL:

1. STORAGE : -40°C TO +85°C.
 2. OPERATION: -40°C TO +85°C.
 3. IR REFLOW SOLDERING TEMPERATURE: 255°C TO 265°C (5~10 SECONDS)
- MATES WITH MODULAR PLUG CONFORMING TO TIA-1096-A.

PART NUMBER: K3J1X-352-XX

- 01-W/O LED, W/TOP&SIDE TABS PA9T BK
- 02-W/O LED, W/O TOP&SIDE TABS PA9T BK
- 1-3u" 2-6u" 3-15u" 4-30u" 5-50u" 7-GOLD FLASH

$\Delta \times 2$		增加焊盘尺寸标注	SOULE	110119
$\Delta \times 0$	0069000	NEW DESIGN	Andy	110317
MARK	ECN-NO.	REVISION RECORD	DRAWN	DATE
CTK	UNLESS OTHERWISE SPECIFIED TOLERANCE		SCALE	CHECKED
	Dimension Range Tolerance		1/1	
	X.X	±0.20	UNIT	APPROVED
	X.XX	±0.15	mm	
Contact Technology Co., Ltd.	X.XXX	±0.10	SIZE	
Material/Plated/Notes	ANGLE	±5°	A3	SHEET 1/1
SEE NOTE	NAME 1X1 RJ45 W/O LED SMT JACK,STP			
Tooling No.	PART NO.	SEE NOTE	REV. 1	
	DOC. NO.	KK3J0A352		