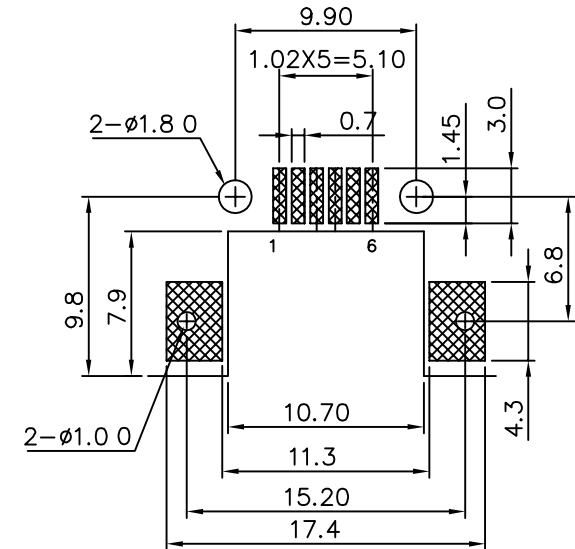
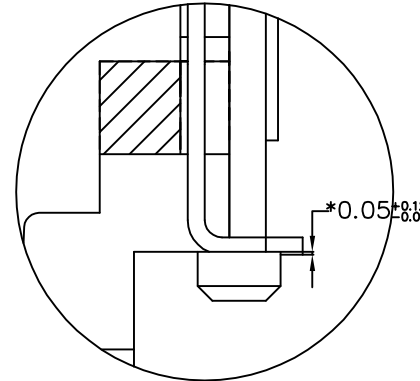
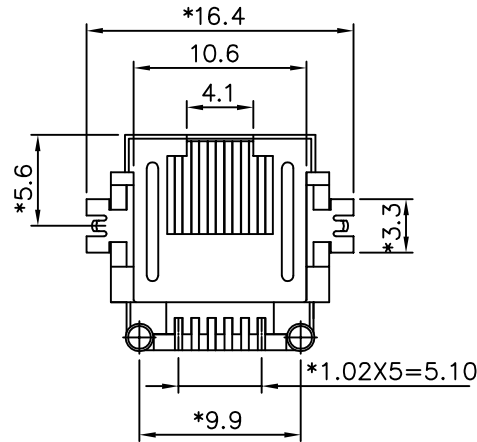
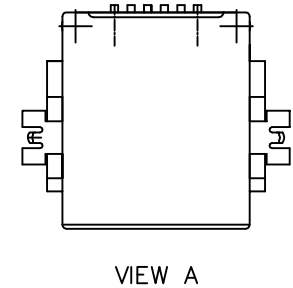
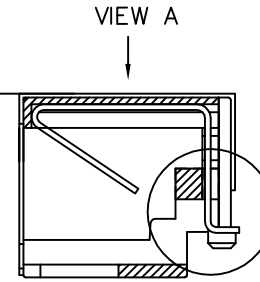
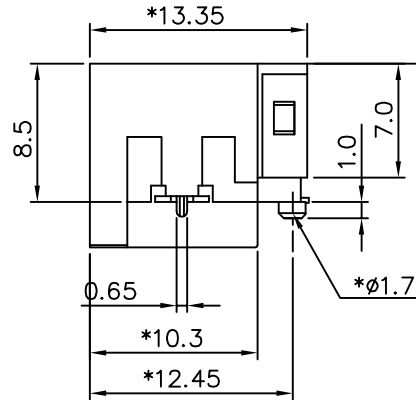
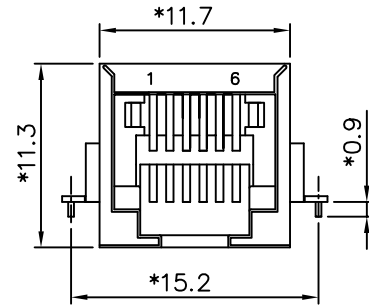


RoHS

THIS IS A RoHS COMPLIANT COMPONENT/PRODUCT.



NOTES:

ELECTRICAL:

- 1. VOLTAGE RATING : 125 VAC.
- 2. CURRENT RATING : 1.5 AMP.
- 3. CONTACT RESISTANCE : 30 MILLIOHMS MAX.
- 4. INSULATION RESISTANCE : 500 MEGOHMS MIN. @ 500 VDC.
- 5. DIELECTRIC STRENGTH : 1000 VAC 60Hz, 1MIN.

MECHANICAL:

- 1. HOUSING MATERIAL : HIGH TEMP. BK. UL94V-0
- 2. CONTACT MATERIAL : PHOSPHOR BRONZE T=0.35mm.
- 3. PLATING : GOLD PLATING OVER NICKEL.
- 4. OPERATING LIFE : 750 CYCLES MIN.
- 5. PCB RETENTION PRE-SOLDER : 1 LB MIN.
- 6. PCB RETENTION POST-SOLDER : 10 LBS MIN.

ENVIRONMENTAL:

- 1. STORAGE : -40°C TO +85°C.
- 2. OPERATION : -40°C TO +85°C.

MATES WITH MODULAR PLUG CONFORMING TO FCC PART 68, SUBPART F.

PART NUMBER : N331X-010-0X



△X1		ADD NEW P/N	ROCK	082112'
△X1		ADD NEW P/N(3)	YANG	031009
△X0	0066000	NEW DESIGN	LINGER	101906

MARK	ECN-NO.	REVISION RECORD	DRAWN	DATE
------	---------	-----------------	-------	------

CTK	UNLESS OTHERWISE SPECIFIED TOLERANCE		SCALE 1.25/1	CHECKED
	Dimension Range	Tolerance	UNIT	APPROVED
	X.X	±0.20	mm	
	X.XX	±0.15		
X.XXX	±0.10	SIZE	A3	SHEET 1/1
ANGLE	±5°			

Material/Plated/Notes	NAME	RJ11 SMT JACK 6P		
SEE NOTE				

Tooling No.	PART NO.	SEE NOTE	REV.
	DOC. NO.	NN330A010	C