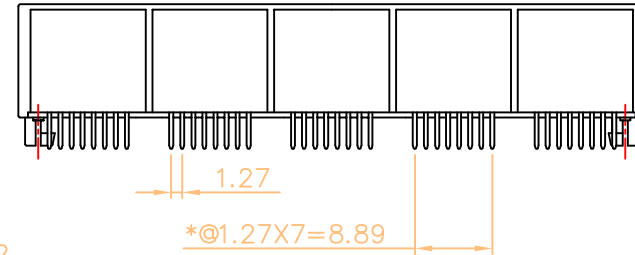
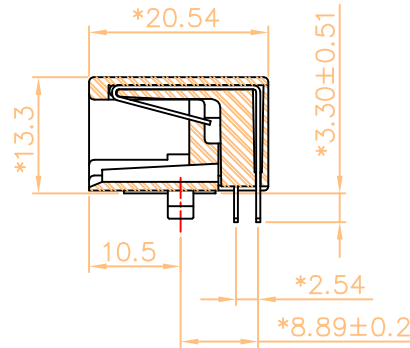
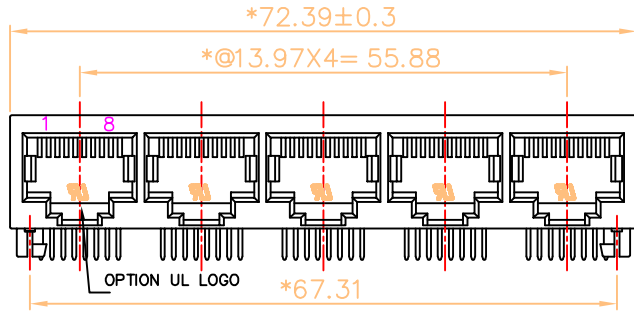


RoHS

THIS IS A RoHS COMPLIANT COMPONENT/PRODUCT.



**NOTES:**

**ELECTRICAL:**

- 1. VOLTAGE RATING : 125 VAC.
- 2. CURRENT RATING : 1.5 AMP.
- 3. CONTACT RESISTANCE : 45 MILLIOHMS MAX.
- 4. INSULATION RESISTANCE : 1000 MEGOHMS MIN. @ 500 VDC.
- 5. DIELECTRIC STRENGTH : 1000 VAC 60Hz, 1MIN.

**MECHANICAL:**

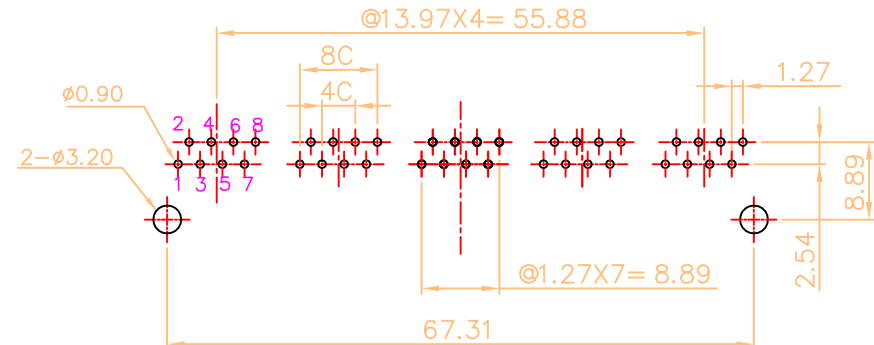
- 1. HOUSING MATERIAL : GLASS FILLED POLYESTER OR HIGH TEMP. UL94V-0.
- 2. CONTACT MATERIAL : PHOSPHOR BRONZE t=0.35mm.
- 3. PLATING : GOLD PLATING OVER NICKEL.
- 4. OPERATING LIFE : 750 CYCLES MIN.
- 5. PCB RETENTION PRE-SOLDER : 1 LB MIN.
- 6. PCB RETENTION POST-SOLDER : 10 LBS MIN.

**ENVIRONMENTAL:**

- 1. STORAGE : -40°C TO +85°C.
- 2. OPERATION : -40°C TO +85°C.

MATES WITH MODULAR PLUG CONFORMING TO FCC PART 68, SUBPART F.  
PART NUMBER : N395X-005-XX

- 1-3u" 2-6u" 01-POLYESTER 8C W/O LOGO
- 3-15u" 4-30u" 02-HIGH TEMP. 8C W/O LOGO
- 03-POLYESTER 4C W/O LOGO
- 04-POLYESTER 8C W/UL LOGO
- 05-POLYESTER 4C W/UL LOGO
- 06-HIGH TEMP. 4C W/O LOGO



PC Board Layout Component Side Shown

△X1		ADD NEW P/N	ROCK	020612'
△X1		ADD NEW P/N(1)	YANG	111709
△X1		ADD NEW P/N(1)	YANG	062909
△X1		ADD NEW P/N(1)	EVA	010509
△X0	000000	NEW DESIGN	LINGER	102406
MARK	ECN-NO.	REVISION RECORD	DRAWN	DATE

	UNLESS OTHERWISE SPECIFIED TOLERANCE	SCALE	CHECKED
	Dimension Range Tolerance	1/1	APPROVED
	X.X ±0.20	UNIT	mm
	X.XX ±0.15	SIZE	A3
X.XXX ±0.10	ANGLE	±5°	
Contact Technology Co., Ltd.		NAME	
Material/Plated/Notes		SEE NOTE	
PART NO.		SEE NOTE	
DOC. NO.		NN390A005	
REV.		E	