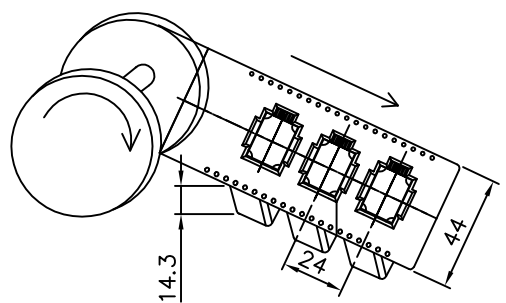
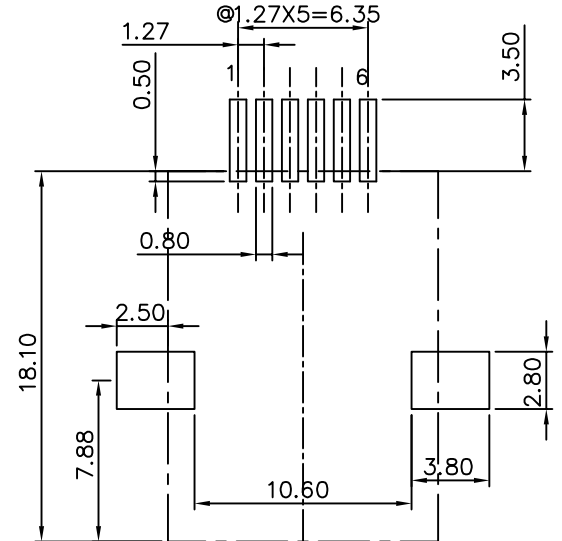
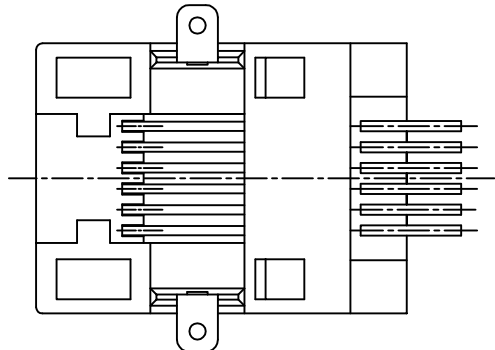
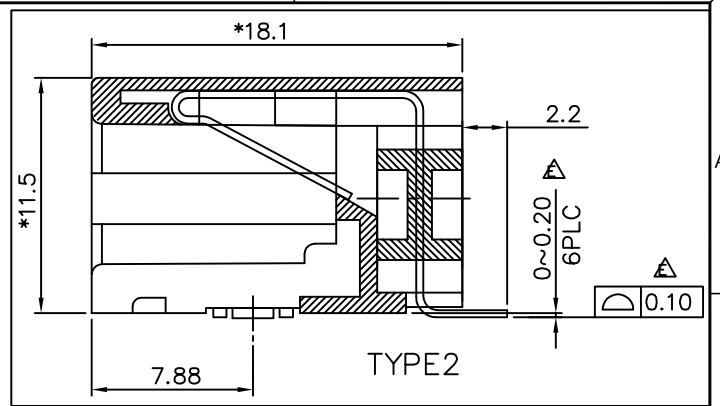
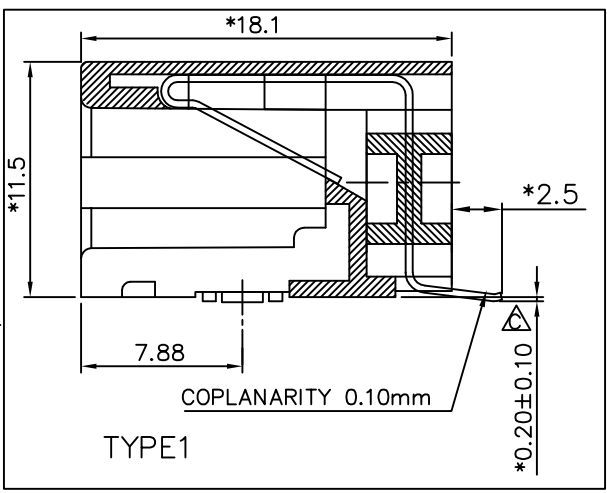
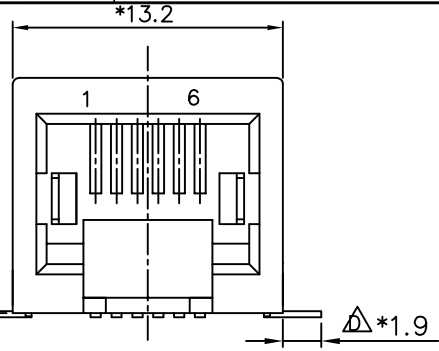


RoHS

THIS IS A RoHS COMPLIANT COMPONENT/PRODUCT.



**NOTES:**

**ELECTRICAL:**

- 1. VOLTAGE RATING : 125 VAC RMS.
- 2. CURRENT RATING : 1.5 AMP.
- 3. CONTACT RESISTANCE : 35 MILLIOHMS MAX.
- 4. INSULATION RESISTANCE: 1000 MEGOHMS MIN. @ 500 VDC.
- 5. DIELECTRIC STRENGTH : 1000 VAC RMS 60Hz, 1MIN.

**MECHANICAL:**

- 1. HOUSING MATERIAL : HIGH TEMP. UL94V-0 BK.
- 2. CONTACT MATERIAL : PHOSPHOR BRONZE t=0.35mm.
- 3. PLATING : GOLD PLATING OVER NICKEL.
- 4. OPERATING LIFE : 750 CYCLES MIN.
- 5. PCB RETENTION POST-SOLDER: 10 LBS MIN.

**ENVIRONMENTAL:**

- 1. STORAGE : -40°C TO +85°C.
  - 2. OPERATION: -0°C TO +85°C.
  - 3. REFLOW SOLDERING TEMP. : 255°C~265°C (5~10 SECONDS).
- MATES WITH MODULAR PLUG CONFORMING TO TIA-1096-A.

PART NUMBER: N331X-008-0X

- |        |              |                |
|--------|--------------|----------------|
| 1-3u"  | 2-6u"        | 1-6P6C TYPE1   |
| 3-15u" | 4-30u"       | 2-6P4C TYPE1   |
| 5-50u" | 7-GOLD FLASH | 3-6P2C TYPE1   |
|        |              | 4-6P4C TYPE2   |
|        |              | 5-6P6C TYPE2   |
|        |              | 6-6P2C TYPE2   |
|        |              | 7-6P6C PA66 BK |

△ X1		ADD NEW P/N	ANDY	040122
△ X3		新增平翻樣式	JOY	042619'
△ X2		MODIFY DRAWING	ROCK	061212'
△ X2		ADD ONE DIM.	ROCK	052412'
△ X1		ADD NEW P/N	LINGER	080807
△ X0	0066000	NEW DESIGN	LINGER	102706
MARK	ECN-NO.	REVISION RECORD	DRAWN	DATE

<p>Contact Technology Co., Ltd.</p>	UNLESS OTHERWISE SPECIFIED TOLERANCE	SCALE	CHECKED	
	Dimension Range   Tolerance	3/1	APPROVED	
	X.X	±0.20	UNIT	
	X.XX	±0.15	mm	
X.XXX	±0.10	SIZE	A3	
ANGLE	±5°			
Material/Plated/Notes		NAME		
SEE NOTE		SIDE ENTRY PCB JACK(SMT) 6P PEG OUT		
Tooling No.	PART NO.	SEE NOTE	REV.	
	DOC. NO.	NN330A008	F	