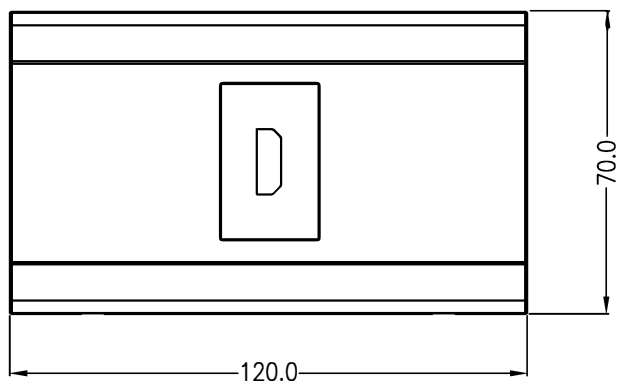
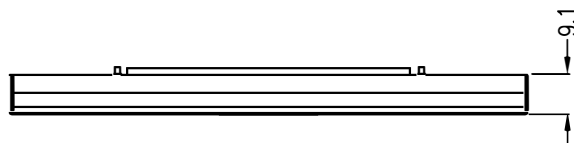
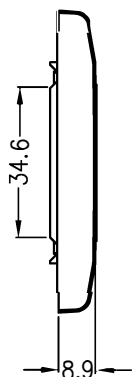




RoHS

THIS IS A RoHS
COMPLIANT
COMPONENT/
PRODUCT.



NOTES:

- 1. MATERIAL : ABS WHITE.
- 2. BURR : 0.05mm MAX.
- 3. PART NUMBER: N471Y-079-01

000000		NEW DESIGN		SELINA	072122
MARK	ECN-NO.	REVISION RECORD		DRAWN	DATE
 Contact Technology Co., Ltd.		UNLESS OTHERWISE SPECIFIED TOLERANCE		SCALE	CHECKED
		Dimension Range	Tolerance	1/1	
		X.X	±0.15	UNIT	APPROVED
		X.XX	±0.10	mm	
X.XXX	±0.05	SIZE	A3	 SHEET 1/1	
Material/Plated/Notes		NAME			
SEE NOTE		WALL PLATE, HDMI			
Tooling No.		PART NO. N471Y-079-01		REV. A	
		DOC. NO. NN471A079			