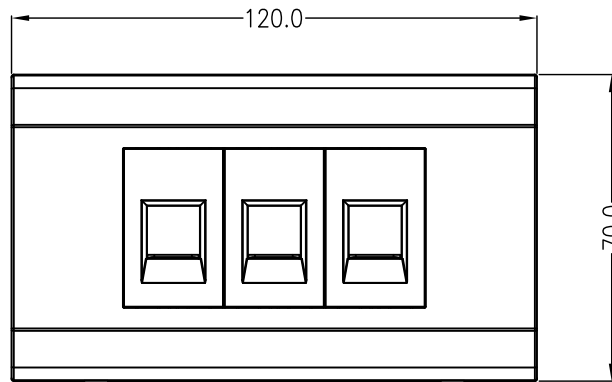
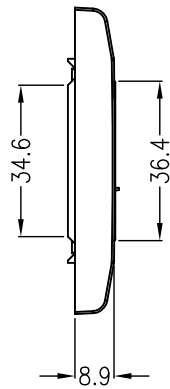
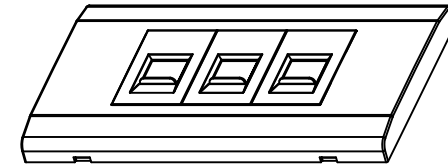
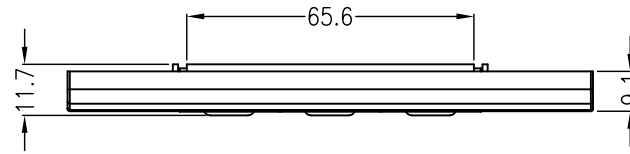



RoHS

THIS IS A RoHS  
COMPLIANT  
COMPONENT/  
PRODUCT.



NOTES:

1. MATERIAL : ABS .
2. BURR : 0.05mm MAX.
3. PART NUMBER: N471Y-058-01

△	0069000	NEW DESIGN	SELINA	091021'
MARK	ECN-NO.	REVISION RECORD	DRAWN	DATE
 Contact Technology Co., Ltd. Material/Plated/Notes SEE NOTE	UNLESS OTHERWISE SPECIFIED TOLERANCE		SCALE	CHECKED
	Dimension Range	Tolerance	1/1	
	X.X	±0.15	UNIT	APPROVED
	X.XX	±0.10	mm	
X.XXX	±0.05	SIZE	A3	⊕
ANGLE	±1°			SHEET 1/1
NAME		WALL PLATE, 3 PORTS		
Tooling No.	PART NO. N471Y-058-01		REV. A	
		DOC. NO. NN471A058		