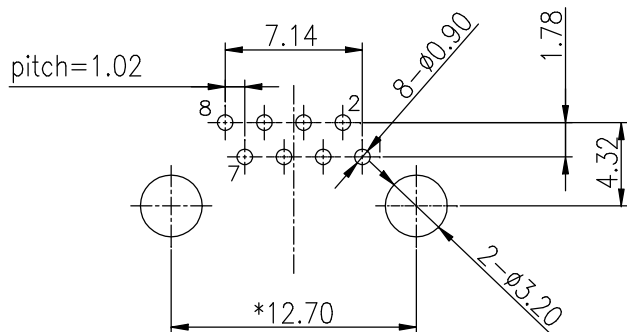
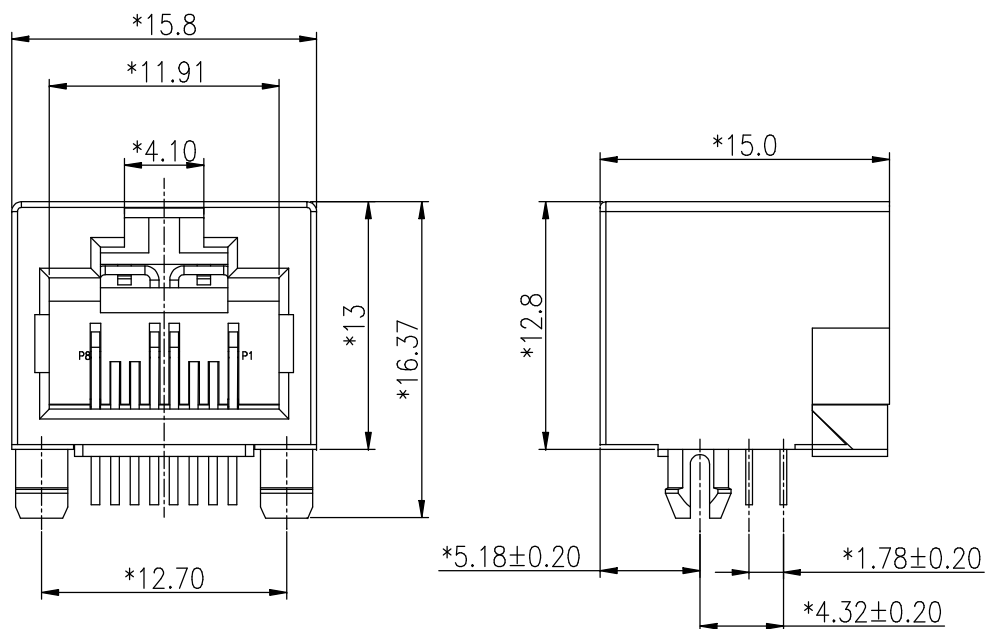


RoHS

THIS IS A RoHS
COMPLIANT
COMPONENT/
PRODUCT.



PCB Layout
Component Side Shown



NOTES:

ELECTRICAL:

1. VOLTAGE RATING : 125 VAC.
2. CURRENT RATING : 1.5 AMP.
3. CONTACT RESISTANCE : 30 MILLIOHMS MAX.
4. INSULATION RESISTANCE: 1000 MEGOHMS MIN. @ 500 VDC.
5. DIELECTRIC STRENGTH : 1000 VAC 60Hz, 1MIN.
6. OPERATING: 1500 CYCLES MIN.

MECHANICAL:

1. HOUSING MATERIAL : HIGH TEMP HF. UL94V-0.
2. CONTACT MATERIAL : PHOSPHOR BRONZE t=0.30 mm.
SHORT PIN MATERIAL : PHOSPHOR BRONZE ø0.46mm.
3. PLATING : GOLD PLATING OVER NICKEL.
4. PCB RETENTION PRE-SOLDER : 1 LB MIN.
5. PCB RETENTION POST-SOLDER: 10 LBS MIN.

ENVIRONMENTAL:

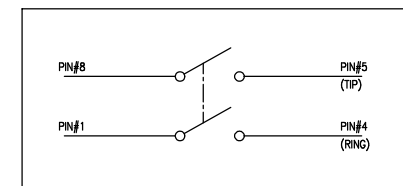
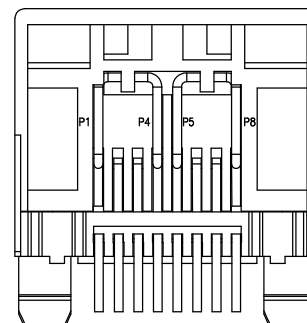
1. STORAGE : -40°C TO +85°C.
2. OPERATION: : -40°C TO +85°C.
3. WAVE SOLDERING TEMPERATURE: 255~265°C (5~10 SECONDS)

MATES WITH MODULAR PLUG CONFORMING TO TIA-1096-A.

PART NUMBER: K3J1X-316-XXH

1-3u" 2-6u"
3-15u" 4-30u"
5-50u" 7-G/F

01-FR52 BK.
02-FR52 YL 116C.



△ X0	0000000	NEW DESIGN	KELVIN	020216
MARK	ECN-NO.	REVISION RECORD	DRAWN	DATE
 Contact Technology Co., Ltd.	UNLESS OTHERWISE SPECIFIED TOLERANCE		SCALE	CHECKED
	Dimension Range Tolerance		1/1	APPROVED
	X.X	±0.20	UNIT	SHEET 1/1
	X.XX	±0.15	mm	
X.XXX	±0.10	SIZE	A3	
Material/Plated/Notes		ANGLE	±5°	
SEE NOTE		NAME	1X1 RJ31 JACK, UTP	
Tooling No.		PART NO.	SEE NOTE	REV.
H.F		DOC. NO.	KK3JOA316	0

Design drawing