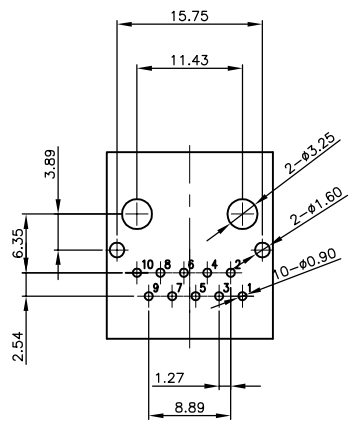
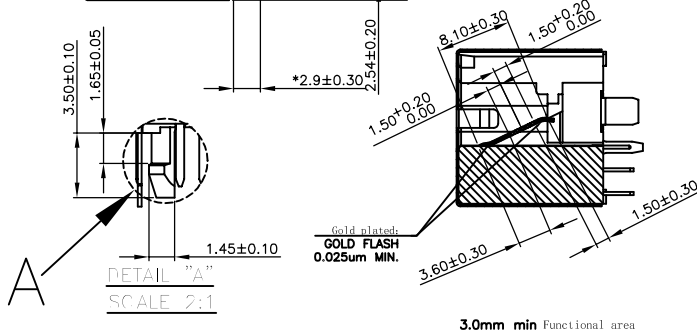
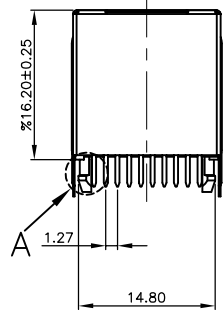
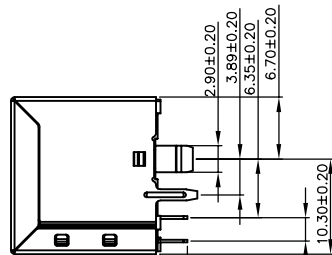
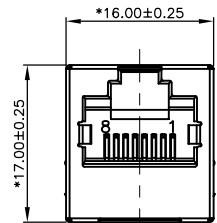


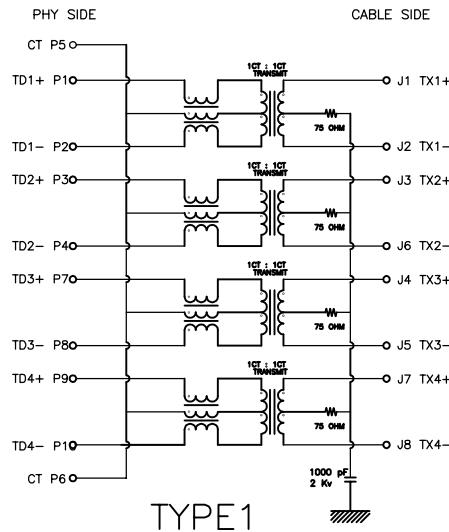
RoHS

THIS IS A RoHS COMPLIANT COMPONENT/PRODUCT.



PC Board Layout Component Side Shown

Schematic 2.5G



TYPE1

Notes:

Characteristics Description:

1. RJ45 2.5G Base-Tx Transformer Jack With Transformer Impedance Resistor/High Voltage Capacitor.
2. Size Same As RJ-45 Modular Jack To Save PCB Space.
3. Reduce EMI Radiation, Improve EMI Performance.
4. Designed For Network Interface Card Application.
5. Designed To Meet IEEE 802.3ab Requirement.
6. Designed For 2.5G Base Transmission over UTP-5 Cable.

Electrical Specifications:

1. Inductance At 100 KHz, 100 mV 8mADC Bias: 100 uH Min.
2. Leakage Inductance 0.4 uH Max. @100KHz 100mV
3. Insertion Loss: 0.5dB Max. @1-50MHz; 1.0dB Max. @50-125MHz; 2.0dB Max. @125-200MHz;
4. Return Loss: 20dB Min. @ 1-40MHz -20+15*log(Freq Mhz/40Mhz)dB MIN. @ 40-200MHz
5. Cross Talk: 35dB Min. @ 1-40MHz -35+15*log(Freq Mhz/40Mhz)dB MIN. @ 40-125MHz
6. Common Mode Rejection: 30dB Min. @1-100MHz
7. Isolation Voltage @60Hz:1500Vrms(Input To Output) 60 Seconds

Mechanical:

1. Housing Material: PBT. BLUE(285C),UL94V-0
2. Insert Material: HIGH TEMPERATURE PLASTIC BLACK UL94V-0
3. Contact Mateial: Phosphor Bronze t=0.30mm.
4. Plating : Contact Area-Gold Plating.
5. Shield Material:Brass C2680 .T=0.2mm
6. Operating Life: 750 Cycles Min.

Environmental:

- 1.Storage: -40°C To +85°C.
 - 2.Operation: 0°C To +70°C.
- Mates With Modular Plug Conforming To TIA-1096-A

Part Number:K3T1X-147-01

9-0.4um Min-01: PBT BLUE(285C) W/O EMI TYPE1.

△X0	0069000	NEW DESIGN	Andy	070821
MARK	ECN-NO.	REVISION RECORD	DRAWN	DATE
	UNLESS OTHERWISE SPECIFIED TOLERANCE		SCALE	CHECKED
	Dimension Range Tolerance		APPROVED	
	X.X	±0.20	UNIT	
	X.XX	±0.15	mm	
Contact Technology Co., Ltd.		X.XXX	±0.10	SIZE
Material/Plated/Notes		ANGLE	±5°	A3
SEE NOTE		NAME		
		RJ45 1Port Blue gold-plated; 16u 8P10C With iron shell With 2.5G Transformer Jack		
Part No.		PART NO.	K3T19-147-01	REV.
		DOC. NO.	KK3T0A147	