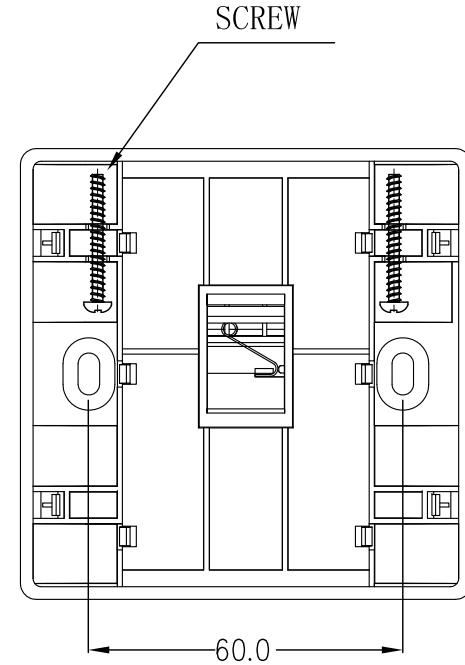
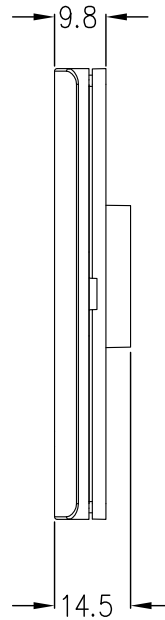
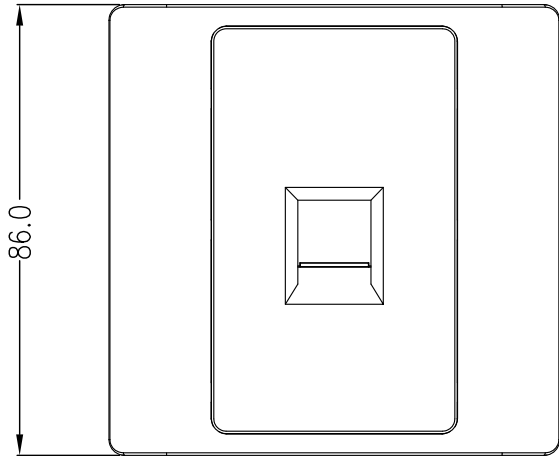
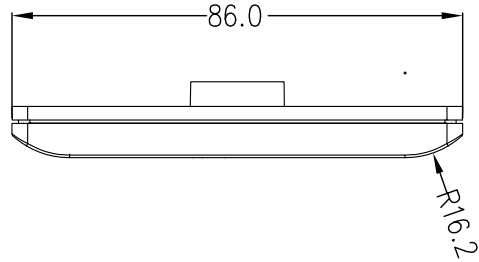



RoHS

THIS IS A RoHS
COMPLIANT
COMPONENT/
PRODUCT.



NOTES:

1. MATERIAL : ABS WHITE UL94V-0
2. BURR : 0.05mm MAX.
3. PART NUMBER: N471Y-095-01

△	0000000	NEW DESIGN	SELINA	122922'
MARK	ECN-NO.	REVISION RECORD	DRAWN	DATE
 Contact Technology Co., Ltd.	UNLESS OTHERWISE SPECIFIED TOLERANCE Dimension Range Tolerance		SCALE	CHECKED
	X.X	±0.15	1/1	APPROVED
	X.XX	±0.10	UNIT	
	X.XXX	±0.05	mm	
Material/Plated/Notes		ANGLE	SIZE	A3
SEE NOTE		NAME	WALL PLATE, 1 PORTS	
Tooling No.		PART NO.	N471Y-095-01	REV. 0
		DOC. NO.	NN471A095	