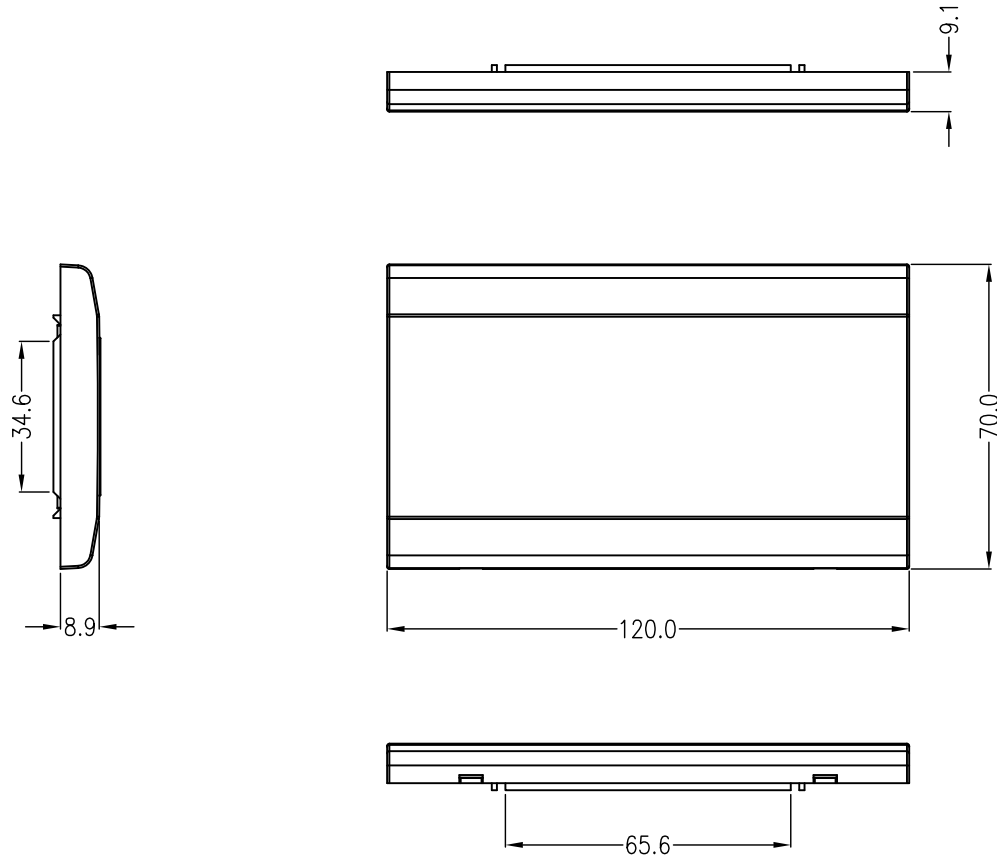



RoHS

THIS IS A RoHS
COMPLIANT
COMPONENT/
PRODUCT.



NOTES:

- 1. MATERIAL : ABS WHITE.
- 2. BURR : 0.05mm MAX.
- 3. PART NUMBER: N471Y-077-01

0000000		NEW DESIGN		SELINA	072122'		
MARK	ECN-NO.	REVISION RECORD		DRAWN	DATE		
		UNLESS OTHERWISE SPECIFIED TOLERANCE		SCALE			
		Dimension Range Tolerance		1/1			
		X.X ±0.15		UNIT		APPROVED	
		X.XX ±0.10		mm			
X.XXX ±0.05		SIZE					
ANGLE		±1°		A3			
Material/Plated/Notes		NAME					
SEE NOTE		WALL PLATE , BLANK					
Tooling No.		PART NO. N471Y-077-01		REV. A			
		DOC. NO. NN471A077					