



THIS IS A RoHS COMPLIANT COMPONENT/PRODUCT.

Notes:

Characteristics Description:

1. RJ45 100 Transformer Jack With Transformer Impedance Resistor/High Voltage Capacitor.
2. Size Same As RJ-45 Modular Jack To Save PCB Space.
3. Reduce EMI Radiation, Improve EMI Performance.
4. Designed For Network Interface Card Application.
5. Designed To Meet IEEE 802.3u Requirement.

Electrical Specifications:

1. Inductance At 100 KHz, 100 mV 8mADC Bias: 350 uH Min.
2. Leakage Inductance 0.4 uH Max. @100KHz 100mV
3. Insertion Loss: 1.1 dB Max. @ 1-100 MHz
4. Return Loss: 18dB Min. @ 1-30MHz
16dB Min. @ 30-60MHz
12dB Min. @ 60-80MHz
5. Cross Talk: 30dB Min. @ 1-100MHz
6. Common Mode Rejection: 30dB Min. @1-100MHz
7. Isolation Voltage @60Hz:1500Vrms(Input To Output) 60 Seconds

Mechanical:

1. Housing Material: HIGH TEMP. UL94V-0
2. Insert Material: High Temp UL94V-0
3. Contact Mateial: Phosphor Bronze t=0.30mm.
4. Plating: Contact Area-Gold Plating.
5. Shield Material:Brass C2680 .T=0.2mm
6. Operating Life: 750 Cycles Min.

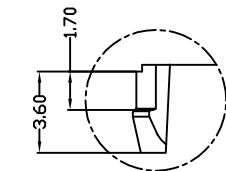
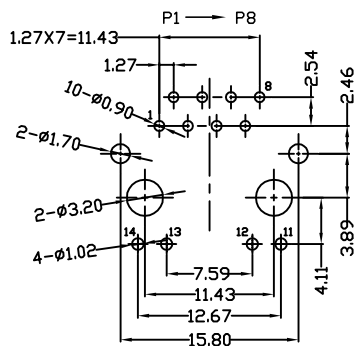
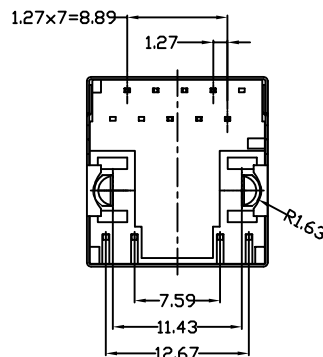
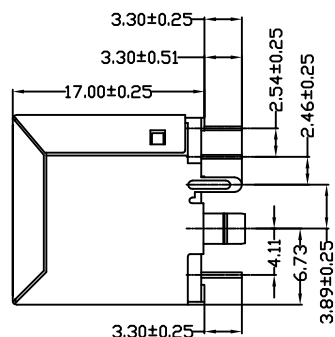
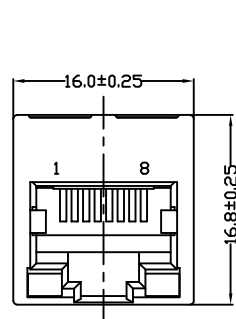
Environmental:

- 1.Storage: -40°C To+85°C.
- 2.Operation: -40°C To+85°C.

Mates With Modular Plug Conforming To TIA-1096-A

Part Number: K3T1X-036-XX

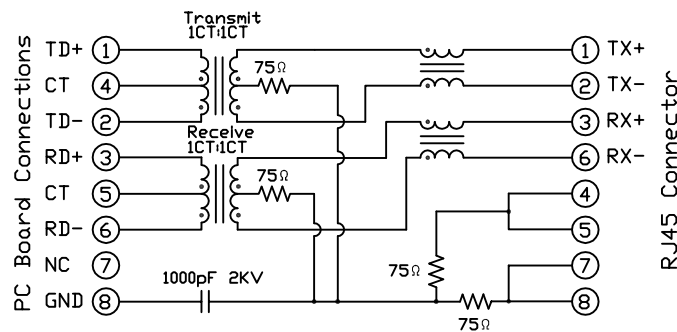
1-3u" 2-6u" 3-15u" 06-HIGH TEMP.BK W/D LOGO W/D EMI L1:GR
4-30u" 5-50u" 7-GOLD FLASH L2:YL TYPE1 Half mushroom feet



Half mushroom feet

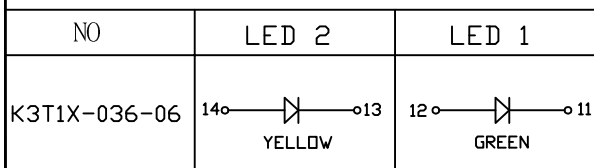
PC Board Layout
Component Side Shown

Schematic: 10/100



PC Board Connections

RJ45 Connector



△ X0	0066000	NEW DESIGN	GRACE	061214'	
MARK	ECN-NO.	REVISION RECORD	DRAWN	DATE	
 Contact Technology Co., Ltd. Material/Plated/Notes SEE NOTE		UNLESS OTHERWISE SPECIFIED TOLERANCE	SCALE	CHECKED	
		Dimension Range	1/1	APPROVED	
		X.X	±0.15	UNIT	
		X.XX	±0.10	mm	
X.XXX	±0.05	SIZE			
ANGLE	±5°				
Top Entry GIGA Transformer Jack		PART NO.	SEE NOTE	REV.	
		DOC. NO.	KK3T0A036	A	

TYPE 1