

RoHS

THIS IS A RoHS COMPLIANT COMPONENT/PRODUCT.

**Notes:**

**Characteristion Description:**

1. RJ45 1000 Base-Tx Transformer Jack With Transformer Impedance Resistor/High Voltage Capacitor.
2. Size Same As RJ-45 Modular Jack To Save PCB Space.
3. Reduce EMI Radiation, Improve EMI Performance.
4. Designed For Network Interface Card Application.
5. Designed To Meet IEEE 802.3ab Requirement.
6. Designed For 1000 Base Transmission over UTP-5 Cable.

**Electrical Specifications:**

1. Inductance At 100 KHz, 100 mV 8mADC Bias: 350 uH Min.
2. Leakage Inductance 0.3 uH Max. @100KHz 100mV
3. Insertion Loss: 1.1 dB Max. @ 1-100 MHz
4. Return Loss: 18dB Min. @1-30MHz  
16dB Min. @ 30-60MHz  
12dB Min. @ 60-80MHz
5. Cross Talk: 1-100MHz 30dB Min.
6. Common Mode Rejection: 30dB Min. @1-100MHz
7. Isolation Voltage @60Hz:1500Vrms(Input To Output) 60 Seconds

**Mechanical:**

1. Housing Material :HIGH Temp UL94V-0
2. Contact Material : Phosphor Bronze T=0.30mm
3. Plating: Gold Plating Over Nickel.
4. Operating Life : 750 Cycles Min.
5. Shield Material: 0.20mm THICKNESS BRASS Plating Nickel.

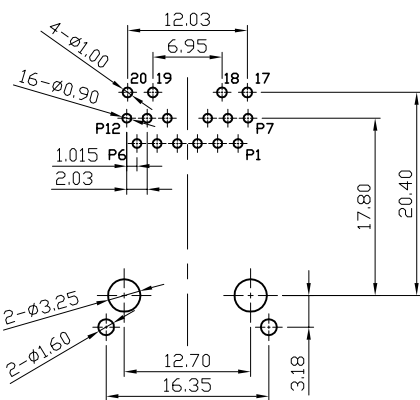
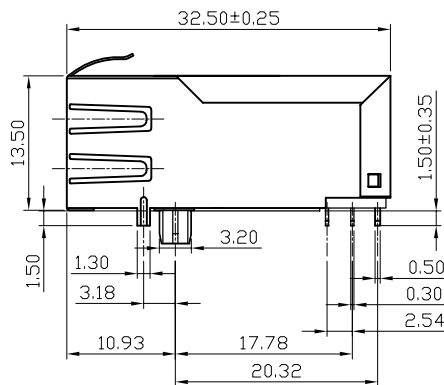
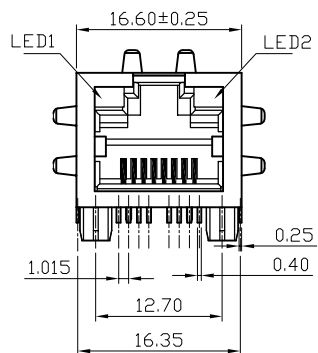
**Environmental:**

1. Storage: -40°C TO +85°C.
2. Operation: -40°C TO +85°C.
3. Wave Soldering Temperature:255~265°C (5~10 Seconds)

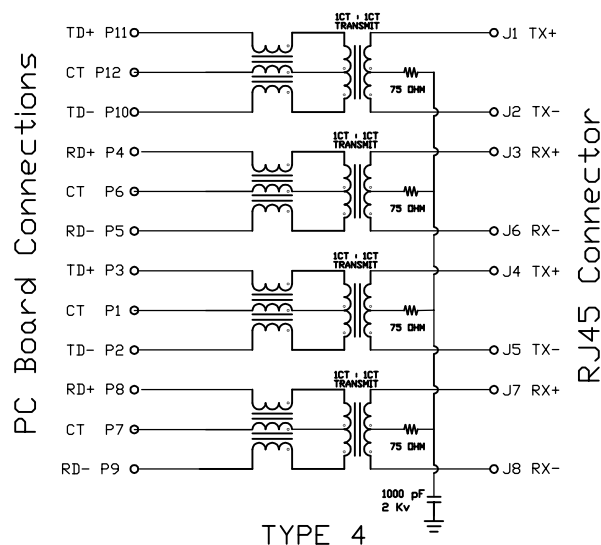
Mates With Modular Plug Conforming To TIA-1096-A

Part Number: S3T1X-051-0X

1-3u" 2-6u" 3-15u" 15-W/ TAB EMI,HIGH TEMP BK Diamond Feet TYPE4  
4-30u" 5-50u" 7-GOLD FLASH



**Schematic: GIGA**



PC Board Layout Component Side Shown

NO	LED 1	LED 2
KS3T1X-051-15	19 GREEN ORANGE	17 YELLOW

△ X1	0066900	NEW REVISION	Andy	121819'	
MARK	ECN-NO.	REVISION RECORD	DRAWN	DATE	
		UNLESS OTHERWISE SPECIFIED TOLERANCE	SCALE 1/1	CHECKED	
		Dimension Range Tolerance	UNIT	APPROVED	
		X.X	±0.20	mm	
		X.XX	±0.15	mm	
Contact Technology Co., Ltd.		ANGLE ±5°	SIZE A4	SHEET 1/1	
Material/Plated/Notes		NAME			
SEE NOTE		1*1 Transformer Jack With LED			
Tooling No.		PART NO.	KS3T1X-051-0X	REV.	
		DOC. NO.	KS3T0A051	0	