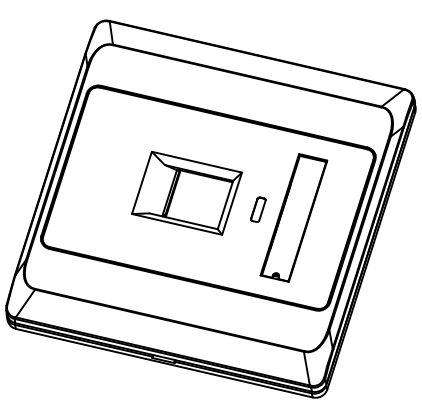
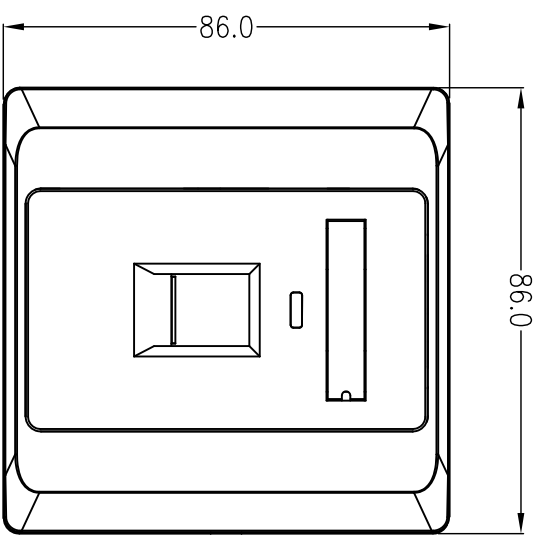
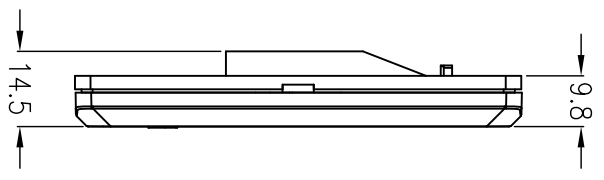
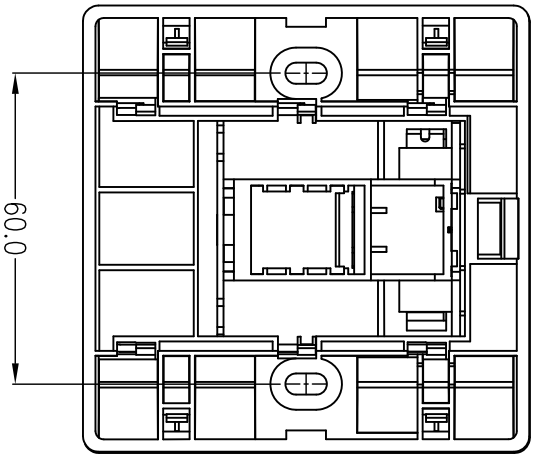




THIS IS A RoHS
COMPLIANT
COMPONENT/
PRODUCT.



- NOTES:
1. MATERIAL : PC .
 2. BURR : 0.05mm MAX.
 3. PART NUMBER: N471Y-053-02

NEW DESIGN		SELINA		121422	
MARK	EON-NO.	REVISION RECORD	DRAWN	DATE	
0069900		CHECKED			
TOLERANCES UNLESS OTHERWISE SPECIFIED		SCALE			
DIMENSION RANGE TOLERANCE		1/1		APPROVED	
X.X		±0.15 (UNIT)		SHEET	
X.XXX		±0.05		1/1	
X.XXXX		±0.01			
ANGLE		±1°			
NAME		A3		SHEET	
Contact Technology Co., Ltd.		WALL PLATE, 1 PORTS		PART NO.	
Material/Plated/Notes		SEE NOTE		N471Y-053-0X	
Tooling No.		DOC. NO.		REV.	
		NN471A053		A	

Design drawing

NEN-00-008

NFEN-00-026 Rev:A