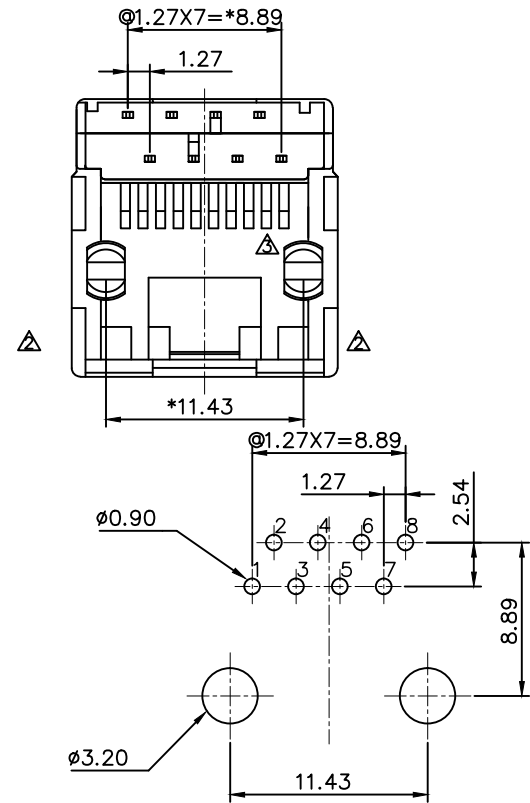
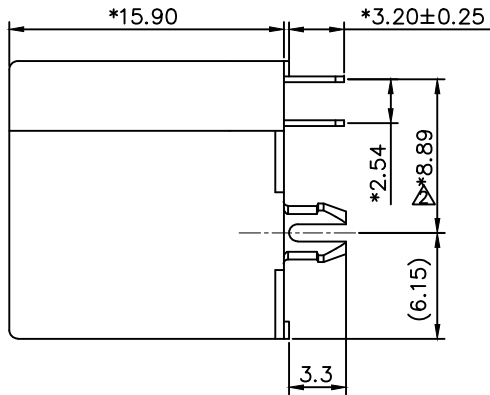
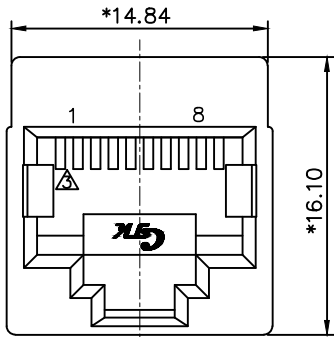


RoHS

THIS IS A RoHS
COMPLIANT
COMPONENT/
PRODUCT.



NOTES:

ELECTRICAL:

- 1. VOLTAGE RATING : 125 VAC RMS.
- 2. CURRENT RATING : 1.5 AMP.
- 3. CONTACT RESISTANCE : 35 MILLIOHMS MAX.
- 4. INSULATION RESISTANCE : 1000 MEGOHMS @ 500 VDC. MIN.
- 5. DIELECTRIC STRENGTH : 1000 VAC RMS 60Hz, 1MIN.

MECHANICAL:

- 1. HOUSING MATERIAL : GLASS FILLED POLYESTER OR HIGH TEMP. UL94V-0.
- 2. CONTACT MATERIAL : PHOSPHOR BRONZE t=0.35 mm.
- 3. PLATING : SELECTIVE GOLD PLATING OVER NICKEL.
- 4. OPERATING LIFE : 750 CYCLES MIN.
- 5. PCB RETENTION PRE-SOLDER : 1 LB MIN.
- 6. PCB RETENTION POST-SOLDER : 10 LBS MIN.

ENVIRONMENTAL:

- 1. STORAGE : -40°C TO +85°C
- 2. OPERATION : 0°C TO 70°C.

MATES WITH MODULAR PLUG CONFORMING TO TIA-1096-A.

PART NUMBER: N371X-023-XX

- 1-3u" 2-6u" 01-POLYESTER W/O LOGO
- 3-15u" 4-30u" 02-HIGH TEMP. W/O LOGO
- 5-50u" 03-POLYESTER W/ LOGO
- 04-HIGH TEMP. W/ LOGO
- 05-POLYESTER WHITE W/O LOGO
- 06-PA9T HIGH TEMP (Proprietary customers)

△X2		UPDATE DRAWING	TYLER	050619'
△X0		UPDATE DRAWING	HENRY	033019'
△X1		ADD NEW P/N.	DORIS	061316'
△X2		8P8C WAS 10P8C	DORIS	121415'
△X3		MODIFY DRAWING	MAYER	070613'
△X1		MODIFY P/N	YANG	052810
△X0	000000	NEW DESIGN	LINGER	091906

MARK	ECN-NO.	REVISION RECORD	DRAWN	DATE
		UNLESS OTHERWISE SPECIFIED TOLERANCE	SCALE 1.25/1	CHECKED
		Dimension Range Tolerance	UNIT mm	APPROVED
		X.X ±0.20	mm	
		X.XX ±0.15	mm	
		X.XXX ±0.10	mm	
		ANGLE ±5°	SIZE A3	SHEET 1/1
Material/Plated/Notes		NAME		
SEE NOTE		CAT.6 TOP ENTRY MODULE JACK UTP		
Tooling No.		PART NO. SEE NOTE	REV. 6	
		DOC. NO. NN370A023		