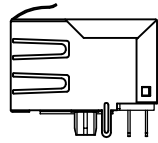
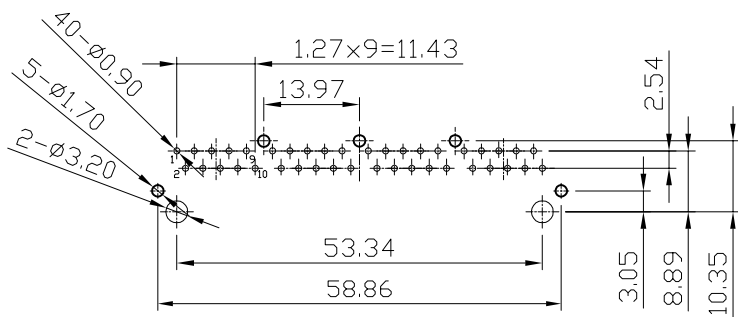
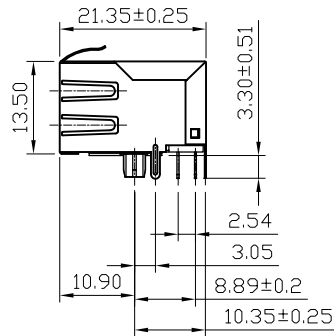
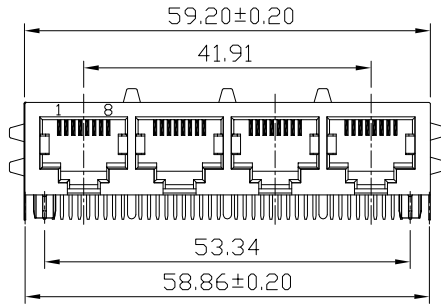


RoHS

THIS IS A RoHS COMPLIANT COMPONENT/PRODUCT.



W/O 3 BACK PEG



Notes:

Characteristics Description:

1. RJ45 Transformer Jack With Transformer Impedance Resistor/High Voltage Capacitor.
2. Size Same As RJ-45 Modular Jack To Save PCB Space.
3. Reduce EMI Radiation, Improve EMI Performance.
4. Designed For Network Interface Card Application.
5. Designed To Meet IEEE 802.3u Requirement.

Electrical Specifications:

1. Inductance At 100 KHz, 100 mV 8mADC Bias: 350 uH Min.
2. Leakage Inductance 0.3 uH Max. @100KHz 100mV
3. Insertion Loss: 1.1 dB Max. @ 1-100 MHz
4. Return Loss: 1-40MHz 18dB Min. Load 100 Ohms
60MHz 14dB Min. Load 100 Ohms
80MHz 12dB Min. Load 100 Ohms
100MHz 10dB Min. Load 100 Ohms
5. Cross Talk: 1-100MHz 35dB Min.
0.1-30MHz 50dB Typ.
30-60MHz 40dB Typ.
6. CMRR: 60-100MHz 35dB Typ.
7. Isolation @60Hz: 1500Vrms (Input To Output) 60 Seconds

Mechanical:

1. Housing Material: POLYESTER OR HIGH TEMP. UL94V-0
2. Contact Material: Phosphor Bronze t=0.35mm
3. Plating: Gold Plating Over Nickel.
4. Operating Lift: 750 Cycles Min.
5. SHIELD: T=0.20mm BRASS

Environmental:

1. Storage :-40°C To+85°C.
2. Operation :0°C To+70°C.

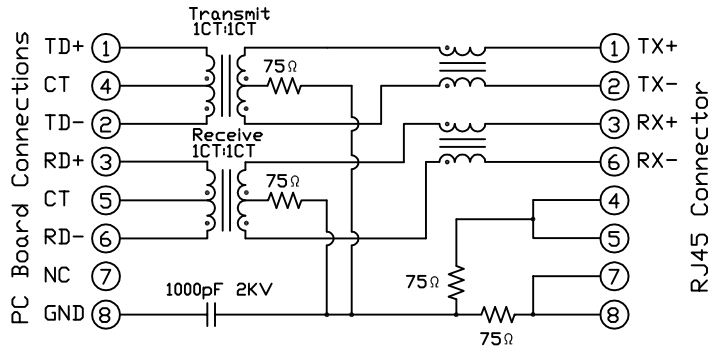
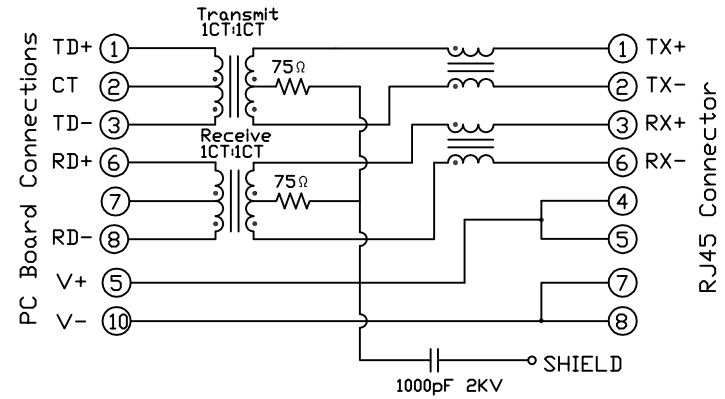
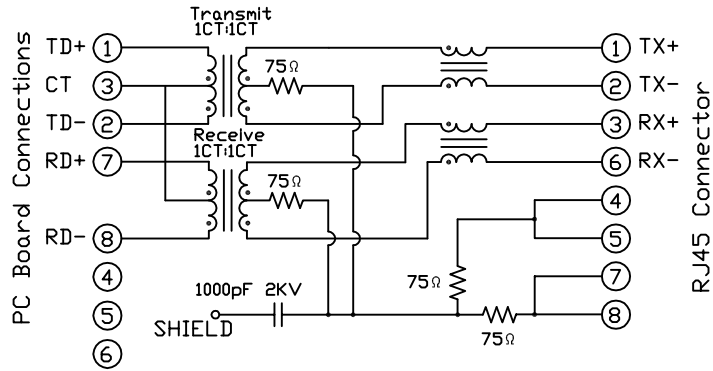
Mates With Modular Plug Conforming To TIA-1096-A

Part Number: K3T4X-012-0X

- 1-3u" 2-6u" 01-W/O EMI TABS. HIGH TEMP BK. TYPE1
- 3-15u" 4-30u" 02-W/O EMI TABS. HIGH TEMP BK. TYPE2
- 03-W/O EMI TABS. PBT. BK. TYPE3
- 04-W/O EMI TABS. PBT BK. TYPE4
- 05-W/O EMI TABS. HIGH TEMP BK. TYPE5
- 06-W/ EMI TABS. PBT BK. TYPE6
- W/O 3 BACK PEG

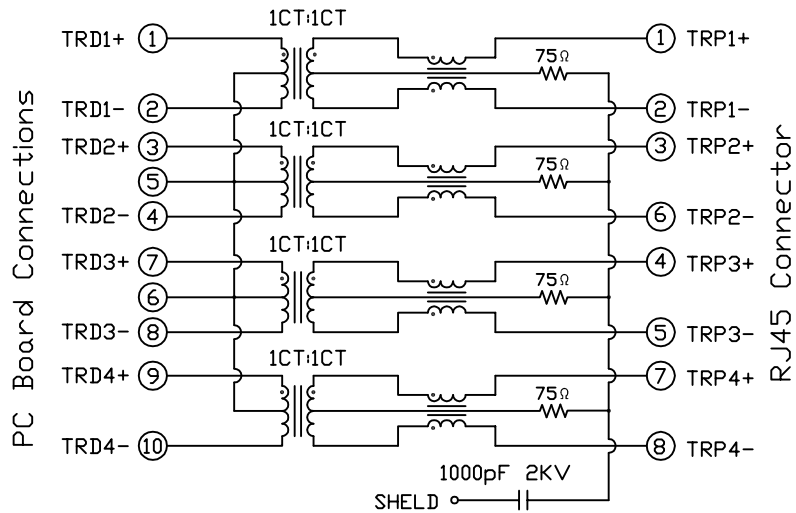
△ X1		ADD NEW P/N	GRACE	121713'
△ X0	0066000	NEW REVISION	GRACE	070313'
MARK	ECN-NO.	REVISION RECORD	DRAWN	DATE
		UNLESS OTHERWISE SPECIFIED TOLERANCE	SCALE	CHECKED
		Dimension Range Tolerance		APPROVED
		X.X ±0.20 UNIT		
		X.XX ±0.15 mm		
		X.XXX ±0.10 SIZE	A3	SHEET 1/3
Material/Plated/Notes		NAME		
SEE NOTE		1*4 Transformer Jack		
Tooling No.		PART NO.	K3T4X-012-0X	
		DOC. NO.	KK3T0A012	
		REV.	A	

Schematic: 10/100

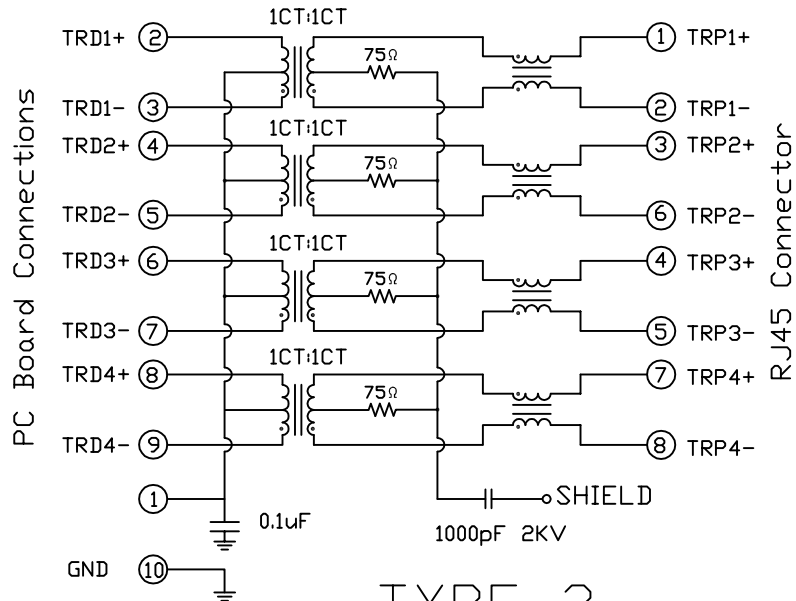


△ X1		ADD NEW P/N	GRACE	121713'
△ X0	000000	NEW REVISION	GRACE	070313'
MARK	ECN-NO.	REVISION RECORD	DRAWN	DATE
	UNLESS OTHERWISE SPECIFIED TOLERANCE		SCALE	CHECKED
	Dimension Range	Tolerance	UNIT	APPROVED
	X.X	±0.20	mm	
	X.XX	±0.15	mm	
X.XXX	±0.10	mm		
Contact Technology Co., Ltd.		ANGLE	SIZE	A3
Material/Plated/Notes		NAME	SHEET 2/3	
SEE NOTE		1*4 Transformer Jack		
Tooling No.		PART NO.	REV.	
		K3T4X-012-0X	A	
		DOC. NO.	REV.	
		KK3T0A012	A	

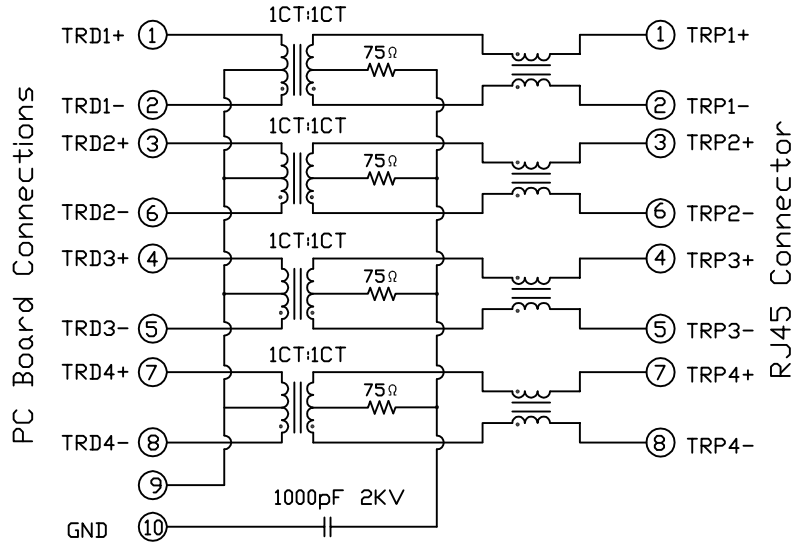
Schematic: GIGA



TYPE 3



TYPE 2



TYPE 5

△ X1		ADD NEW P/N	GRACE	121713'
△ X0	000000	NEW REVISION	GRACE	070313'
MARK	ECN-NO.	REVISION RECORD	DRAWN	DATE
 Contact Technology Co., Ltd.		UNLESS OTHERWISE SPECIFIED TOLERANCE	SCALE	CHECKED
		Dimension Range Tolerance		APPROVED
		X.X ±0.20	UNIT mm	
		X.XX ±0.15		
X.XXX ±0.10	SIZE	A3	SHEET 3/3	
ANGLE ±5°				
Material/Plated/Notes		NAME		
SEE NOTE		1*4 Transformer Jack		
Tooling No.		PART NO.	REV.	
		K3T4X-012-0X	A	
		DOC. NO.		
		KK3T0A012		