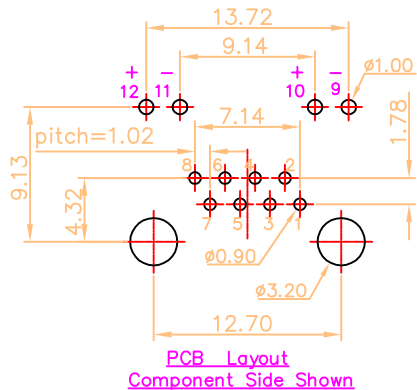
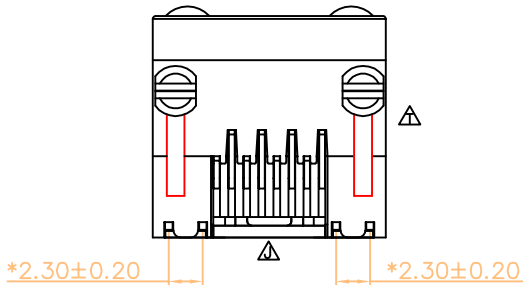
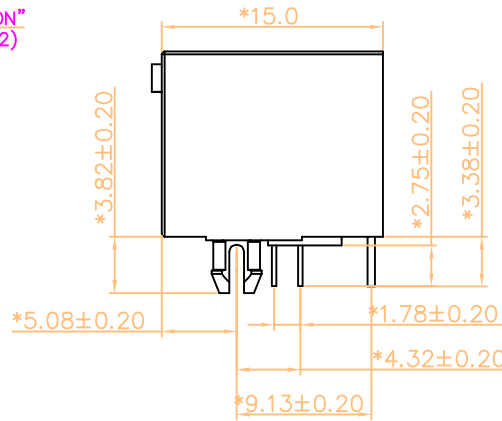
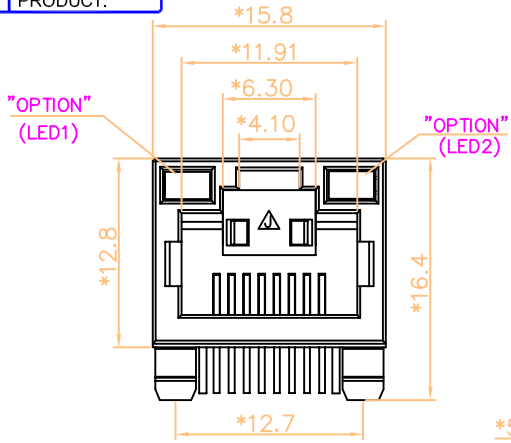


RoHS

THIS IS A RoHS COMPLIANT COMPONENT/PRODUCT.



NOTES:

ELECTRICAL:

- 1. VOLTAGE RATING : 125 VAC.
- 2. CURRENT RATING : 1.5 AMP.
- 3. CONTACT RESISTANCE : 30 MILLIOHMS MAX.
- 4. INSULATION RESISTANCE: 1000 MEGOHMS MIN. @ 500 VDC.
- 5. DIELECTRIC STRENGTH : 1000 VAC 60Hz, 1MIN.
- 6. LED RATINGS: FORWARD VOLTAGE: 2.2 VOLTS TYPICAL. REVERSE VOLTAGE: 5 VOLTS MAXIMUM.

MECHANICAL:

- 1. HOUSING MATERIAL : HIGH TEMP. UL94V-0.
- 2. CONTACT MATERIAL : PHOSPHOR BRONZE t=0.30 mm.
- 3. BACK PLATE MATERIAL : GLASS FILLED POLYESTER UL94V-0 BK.
- 4. LED SIZE : 7x3.05x1.85, P=2.54 mm.
- 5. PLATING : GOLD PLATING OVER NICKEL.
- 6. PCB RETENTION PRE-SOLDER : 1 LB MIN.
- 7. PCB RETENTION POST-SOLDER: 10 LBS MIN.

ENVIRONMENTAL:

- 1. STORAGE : -40°C TO +85°C.
- 2. OPERATION : -40°C TO +85°C.
- 3. WAVE SOLDERING TEMPERATURE: 255~265°C (5~10 SECONDS)

MATES WITH MODULAR PLUG CONFORMING TO TIA-1096-A.

PART NUMBER: N3J1X-138-XX

- 1-3u" 2-6u"
- 3-15u" 4-30u"
- 5-50u" 7-1u"

- 01-LED1: GREEN,LED2: YELLOW W/O LOGO BK.
- 02-LED1: YELLOW,LED2: GREEN W/O LOGO GY.
- 03-LED1: GREEN,LED2: G+Y W/O LOGO BK.
- 04-LED1: YELLOW,LED2: GREEN W/O LOGO YL.
- 05-LED1: YELLOW,LED2: GREEN W/O LOGO BK.
- 06-LED1: GREEN,LED2: YELLOW W/O LOGO YL.
- 07-LED1: GREEN,LED2: YELLOW W/O LOGO RED.
- 08-LED1: GREEN,LED2: GREEN W/O LOGO BK.
- 09-LED1: YELLOW,LED2: GREEN W/O LOGO RED.
- 10-LED1: YELLOW,LED2: GREEN W/O LOGO BLUE.
- 11-LED1: R/G,LED2: R/G W/O LOGO BK.
- 12-LED1: GREEN,LED2: Y+G W/O LOGO BK.
- 13-LED1: GREEN,LED2: G+Y W/O LOGO BK(塑脚3.2mm)
- 14-LED1: YELLOW,LED2: GREEN W/O LOGO GREEN(7487C)
- 15-LED1: YELLOW,LED2: GREEN W/O LOGO GREEN(7488C)
- 16-LED1: YELLOW,LED2: GREEN W/O LOGO RED
- 17-LED1: GREEN,LED2: YELLOW W/O LOGO GY
- 18-LED1: G+O,LED2: YELLOW W/O LOGO PA6T BK
- 19-LED1: GREEN,LED2: YELLOW W/O LOGO PBT BK.

△ N3J1X-138-18	GREEN 12 → 11 ORANGE	YELLOW 10 → 9
△ N3J1X-138-13	GREEN 12 → 11	GREEN 10 → 9 YELLOW
△ N3J1X-138-12	GREEN 12 → 11	YELLOW 10 → 9 GREEN
△ N3J1X-138-11	RED 12 → 11 GREEN	RED 10 → 9 GREEN
△ N3J1X-138-08	GREEN 12 → 11	GREEN 10 → 9
△ N3J1X-138-01	GREEN 12 → 11	YELLOW 10 → 9
△ N3J1X-138-07	GREEN 12 → 11	YELLOW 10 → 9
△ N3J1X-138-17	GREEN 12 → 11	YELLOW 10 → 9
△ N3J1X-138-19	GREEN 12 → 11	YELLOW 10 → 9
△ N3J1X-138-02	YELLOW 12 → 11	GREEN 10 → 9
△ N3J1X-138-04	YELLOW 12 → 11	GREEN 10 → 9
△ N3J1X-138-05	YELLOW 12 → 11	GREEN 10 → 9
△ N3J1X-138-09	YELLOW 12 → 11	GREEN 10 → 9
△ N3J1X-138-10	YELLOW 12 → 11	GREEN 10 → 9
△ N3J1X-138-16	YELLOW 12 → 11	GREEN 10 → 9
△ N3J1X-138-03	GREEN 12 → 11	GREEN 10 → 9 YELLOW

△ X1	ADD NEW P/N	Andy	070821'
△ X1	MODIFY DRAWING	Andy	022221'
△ X1	ADD NEW P/N	Joy	110620'
△ X1	ADD NEW P/N	Joy	052020'
△ X1	ADD NEW P/N	Andy	011520'
△ X1	ADD NEW P/N	Joy	122815'
△ X1	ADD NEW P/N	MORGAN	041715'
△ X2	ADD NEW P/N	DORIS	070414'
△ X2	ADD NEW P/N	KARL	062113'
△ X3	ADD NEW P/N	ROCK	091712'
△ X4	MODIFY DRAWING	ROCK	080712'
△ X3	MODIFY DRAWING	ROCK	061812'
△ X2	ADD NEW P/N	DORIS	120111'
△ X2	ADD NEW DRAWING	DORIS	110411'
△ X2	ADD NEW P/N	ROCK	091511'
△ X2	ADD NEW P/N	DORIS	080111'
△ X2	ADD NEW P/N	DORIS	080111'
△ X4	ADD NEW P/N	DORIS	061411'
△ X0	000000	NEW DESIGN	ARES 030911
MARK	ECN-NO.	REVISION RECORD	DRAWN DATE

<p>Contact Technology Co., Ltd.</p> <p>Material/Plated/Notes</p> <p>SEE NOTE</p> <p>Tooling No.</p>	UNLESS OTHERWISE SPECIFIED TOLERANCE	SCALE	CHECKED
	Dimension Range: Tolerance	1/1	APPROVED
	X.X ±0.20	UNIT	
	X.XX ±0.15	mm	
X.XXX ±0.10	SIZE	A3	SHEET 1/1
ANGLE ±5°			
NAME	1X1 RJ45 LED JACK, UTP		
PART NO.	SEE NOTE	REV.	U
DOC. NO.	NN3J0A138		