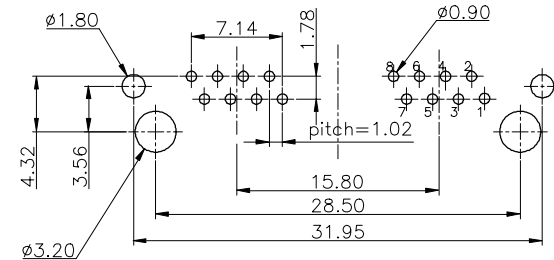
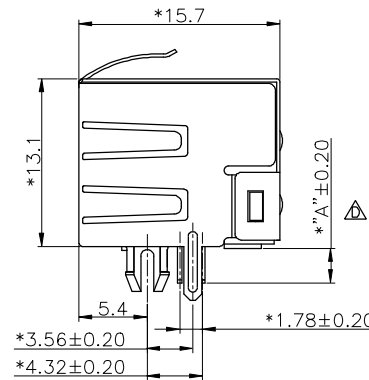
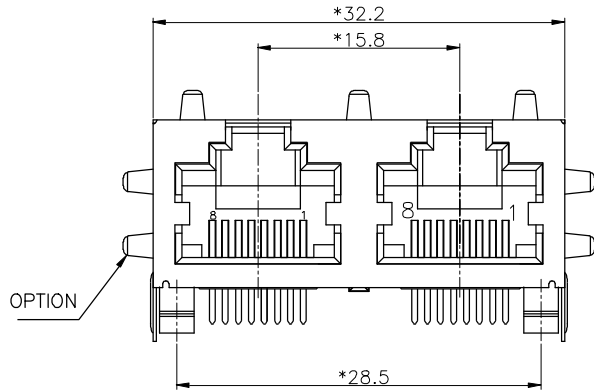




THIS IS A RoHS COMPLIANT COMPONENT/PRODUCT.



PCB LAYOUT
COMPONENT SIDE SHOWN

NOTES:

ELECTRICAL:

1. VOLTAGE RATING : 125 VAC RMS.
2. CURRENT RATING : 1.5 AMP.
3. CONTACT RESISTANCE : 30 MILLIOHMS MAX.
4. INSULATION RESISTANCE: 1000 MEGOHMS MIN. @ 500 VDC.
5. DIELECTRIC STRENGTH : 1000 VAC RMS 60Hz, 1MIN.
6. OPERATING: 750 CYCLES MIN.

MECHANICAL:

1. HOUSING MATERIAL : HIGH TEMP. UL94V-0 BK.
2. INSERT MATERIAL : GLASS FILLED POLYESTER UL94V-0 BK.
3. BACK PLATE MATERIAL : GLASS FILLED POLYESTER UL94V-0 BK.
4. SHIELD MATERIAL : COPPER ALLOY 0.25 mm THICKNESS NICKEL PLATING.
5. CONTACT MATERIAL : PHOSPHOR BRONZE 0.35 mm THICKNESS.
6. PLATING : CONTACT AREA GOLD PLATING OVER NICKEL.
TAILS GOLD FLASH OVER NICKEL.
7. PCB RETENTION PRE-SOLDER : 1 LB MIN.
8. PCB RETENTION POST-SOLDER: 10 LBS MIN.

ENVIRONMENTAL:

1. STORAGE : -40°C TO +85°C.
2. OPERATION: 0°C TO 70°C.
3. WAVE SOLDERING TEMPERATURE: 255~265°C (5~10 SECONDS)

MATES WITH MODULAR PLUG CONFORMING TO TIA-1096-A.

PART NUMBER: N3J2X-014-XX

- | | | |
|--------------|--------|--|
| 1-3u" | 2-6u" | 01-W/TOP&SIDE TABS HIGH TEMP. ("A"=2.67mm). |
| 3-15u" | 4-30u" | 02-W/O TABS HIGH TEMP. ("A"=2.67mm). |
| 5-50u" | | 03-W/TOP&SIDE TAB POLYESTER ("A"=2.67mm) |
| 7-GOLD FLASH | | 04-W/O TOP&SIDE TAB HIGH TEMP. ("A"=3.3mm) |
| | | 05-W/O TOP&SIDE TAB POLYESTER ("A"=2.67mm) |
| | | 06-W/ TOP TABS HIGH TEMP. ("A"=3.3mm) |
| | | 07-W/TOP&SIDE TAB POLYESTER ("A"=2.67mm) YELLOW 114C |

△ X1	0000000	ADD NEW P/N	DORIS	073015'
△ X1	0000000	ADD NEW P/N	MORGAN	070615'
△ X1	0000000	MODIFY P/N OPTOIN	MORGAN	062615'
△ X1	0000000	MODIFY P/N OPTOIN	MORGAN	031715'
△ X1	0000000	MODIFY P/N OPTOIN	MORGAN	020915'
△ X1	0000000	MODIFY P/N OPTOIN	ROCK	072111'
△ X1	0000000	ADD P/N	ROCK	070811'
△ X0	0000000	NEW DESIGN	LINGER	041107
MARK	ECN-NO.	REVISION RECORD	DRAWN	DATE

	UNLESS OTHERWISE SPECIFIED TOLERANCE		SCALE	CHECKED
	Dimension Range	Tolerance	2/1	
	X.X	±0.20	UNIT	APPROVED
	X.XX	±0.15	mm	
X.XXX	±0.10	SIZE	A3	SHEET 1/1
ANGLE	±5°			
Contact Technology Co., Ltd.		NAME		
Material/Plated/Notes		1X2 RJ45 LED JACK, FTP W/O LED		
SEE NOTE		PART NO.	SEE NOTE	REV.
Tooling No.		DOC. NO.	NN3J0A014	H