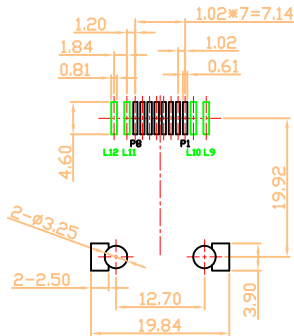
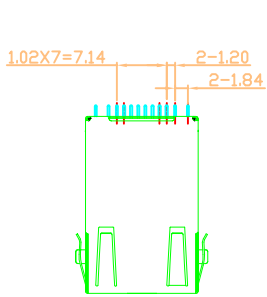
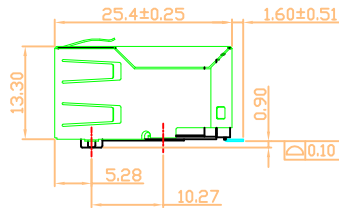
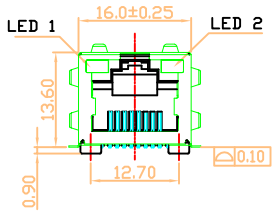


RoHS THIS IS A RoHS COMPLIANT COMPONENT/PRODUCT.



Notes:

Characteristics Description:

1. RJ45 10/100 Base-Tx Transformer Jack With Transformer Impedance Resistor/High Voltage Capacitor.
2. Size Same As RJ-45 Modular Jack To Save PCB Space.
3. Reduce EMI Radiation, Improve EMI Performance.
4. Designed For Network Interface Card Application.
5. Designed To Meet IEEE 802.3u Requirement.
6. Designed For 10/100 Base Transmission over UTP-5 Cable.

Electrical Specifications:

1. Inductance At 100 KHz, 100 mV 8mADC Bias: 350 uH Min.
2. Leakage Inductance 0.4 uH Max. @100KHz 100mV
3. Insertion Loss: 1.1 dB Max. @ 1-100 MHz
4. Return Loss: 18dB Min. @ 1-30MHz
16dB Min. @ 30-60MHz
12dB Min. @ 60-80MHz
5. Cross Talk: 30dB Min. @ 1-100MHz
6. Common Mode Rejection: 30dB Min. @1-100MHz
7. Isolation Voltage @60Hz:1500Vrms(Input To Output) 60 Seconds

Mechanical:

1. Housing Material: HIGH TEMP. UL94V-0
2. Contact Material: Phosphor Bronze t=0.30mm.
3. Plating: Contact Area-Gold Plating.
Tails- 150u" Tin Min. Over 50u" Nickel.
4. Shield Material: Brass C2680 ,T=0.2mm
5. Operating Life: 750 Cycles Min.

Environmental:

1. Storage :-40°C To+85°C.
2. Operation:-40°C To+85°C.
3. Wave Soldering Temperature:255~265°C (5-10 Seconds)

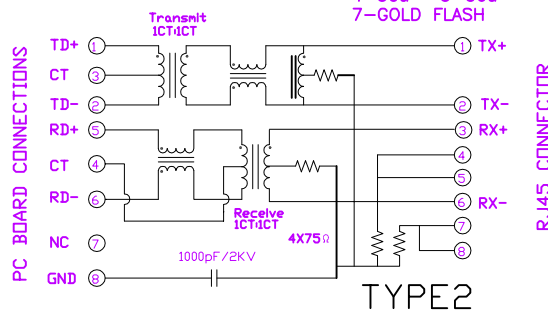
Mates With Modular Plug Conforming To TIA-1096-A

Part Number: K3T1X-043-0X

08W/ TAB EMI, HIGH TEMP BK, TYPE2

Schematic:

1-3u" 2-6u" 3-15u"
4-30u" 5-50u"
7-GOLD FLASH



LED DISPLAY		
PART NO.	LED1	LED2
K3T1X-043-08	YELLOW L11 ← L12	GREEN L9 ← L10

MARK	0096000	NEW DESIGN	GRACE	050813
ECN-NO.		REVISION RECORD	DRAWN	DATE
UNLESS OTHERWISE SPECIFIED TOLERANCE		SCALE	CHECKED	
Dimension Range			APPROVED	
X.X	±0.20	UNIT	mm	
X.XX	±0.15	SIZE	A3	
X.XXX	±0.10	ANGLE	±5°	
Contact Technology Co., Ltd.				
Material/Plated/Notes				
NAME				
RJ45 1X1 SMT Transformer Jack STP				
PART NO. SEE NOTE				
DOC. NO. KK3T0A043				
REV.				0